

# ORDER INFORMATION:

DUSBA1 - 083 -  $\frac{X}{a}$  - S -  $\frac{X}{b} \frac{X}{c}$  -  $\frac{X}{d}$

**a. Plated selection :**

- 1 : Gold Flash
- 2 : Gold 30u"

**b. Plastic Color :**

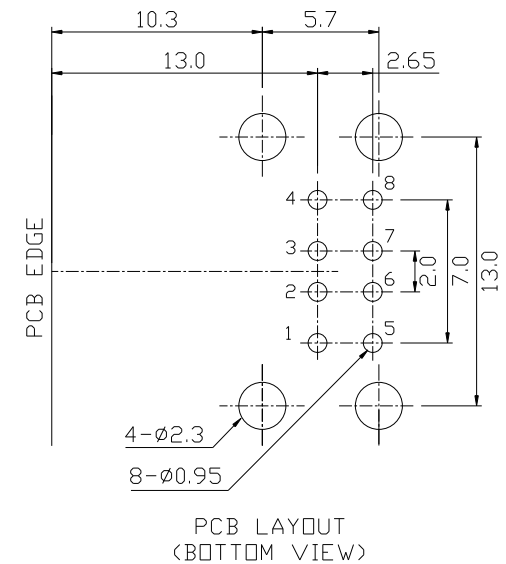
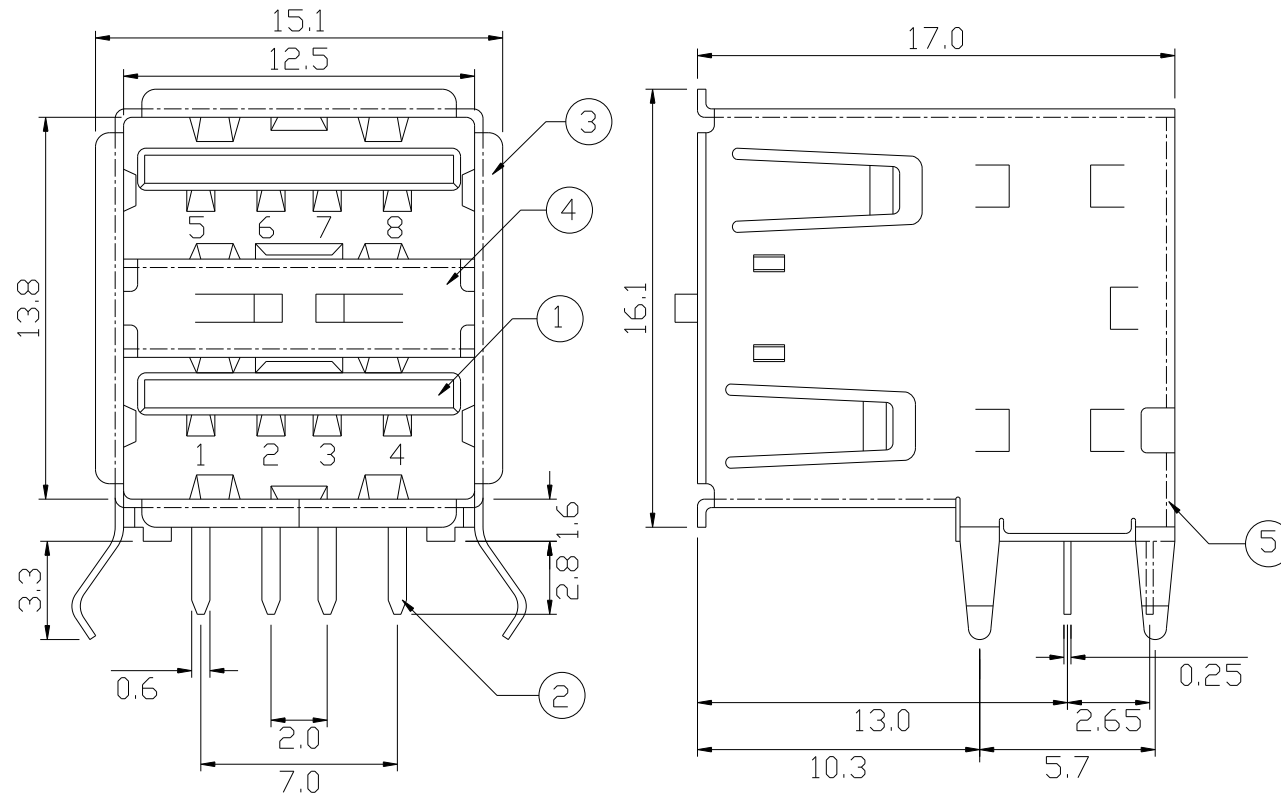
- B : Black
- W : White

**c. Plastic material :**

- P : P.B.T (standard)
- N : Nylon 9T

**d. Pack selection:**

- D : Disk Pack



NO.	NAME	MATERIAL	FINISH	Q'TY	REMARK
1	HOUSING	P.B.T.	WHITE	1	
2	PIN TERM.	PHOS. BRONZE	GOLD-TIN PLATED	8	Gold:1~3u" ; NI:40~60u" ; TIN:120u" (100% pure Tin of lead free plating)
3	SHELL	BRASS,0.3mm	TIN PLATED	1	TIN:120~200u"
4	SHELL	BRASS,0.3mm	TIN PLATED	1	TIN:120~200u"
5	SHELL	SPCC,0.3mm	NICKEL PLATED	1	NI:80~120u"

GENERAL TOLERANCE  ± 0.3	DATE H. D. LI	PART NO DUSBA1-083-X-S-XX-X
	DESIGN H. D. LI	TITLE DUAL USB TYPE A
	CHECKED Y. M. LU	
UNIT :mm	APPROVED J. F. KANG	宏揚精密有限公司 HOJAR PRECISION CO., LTD.