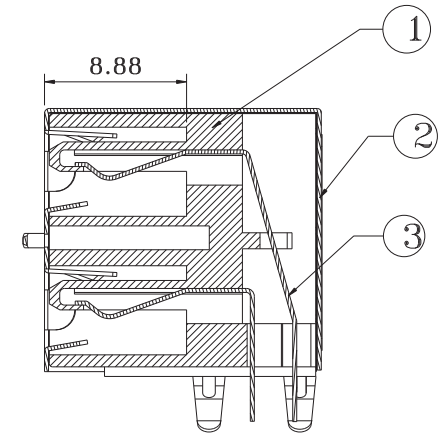
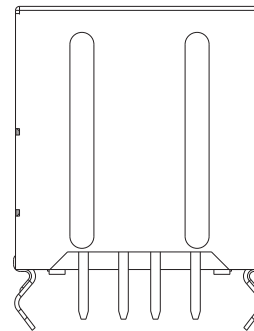
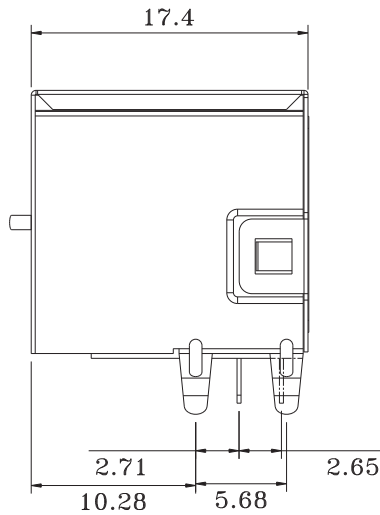
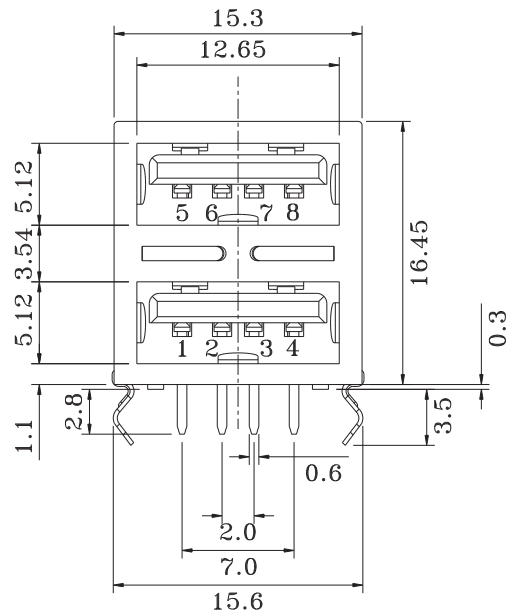


PCB LAYOUT
(BOTTOM VIEW)



SECTION A-A

ORDER INFORMATION:

DUSBA1 - 084 - $\frac{X}{a}$ - S - $\frac{X}{b} \frac{X}{c}$ - $\frac{X}{d}$

- a. Plated selection :
 - 1 : Gold Flash
 - 2 : Gold 30u"
- b. Plastic Color :
 - B : Black
 - W : White
- c. Plastic material :
 - P : P.B.T (standard)
 - N : Nylon 9T
- d. Pack selection:

NO.	NAME	MATERIAL	FINISH	REMARK	Q'TY
1	HOUSING	PBT G.F.	BLACK		1
2	SHELL	BRASS T:0.25 mm	NICKEL PLATED	NI:80~120u"	1
3	PIN TERM.	PHOS. BRONZE T:0.25mm	GOLD/TIN PLATED	Gold:1~3u"; NI:40~60u"; TIN:120u" (100% pure Tin of lead free plating)	8

GENAL TOLERANCE ± 0.30	DATE H. D. LI	PART NO DUSBA1-084-X-S-XX-X
	DESIGN H. D. LI	TITLE DUAL USB A TYPE
	CHECKED Y. M. LU	
UNIT :mm	APPROVED J. F. KANG	宏揚精密有限公司 HOJAR PRECISION CO., LTD.