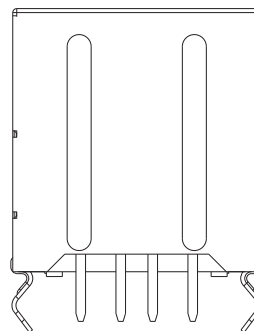
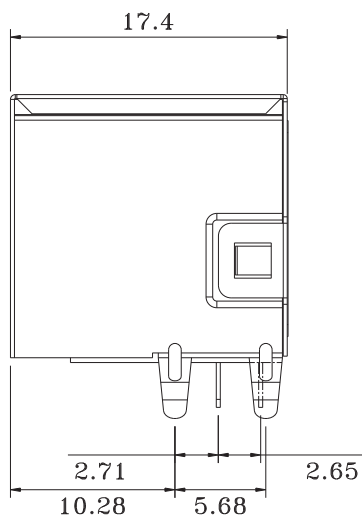
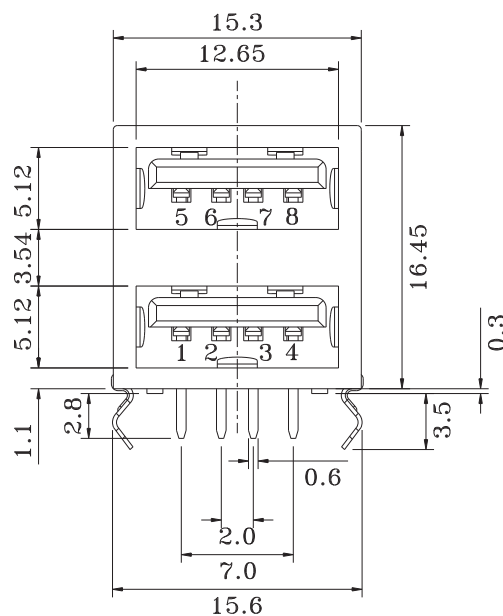
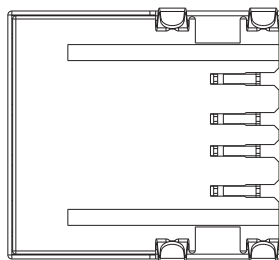


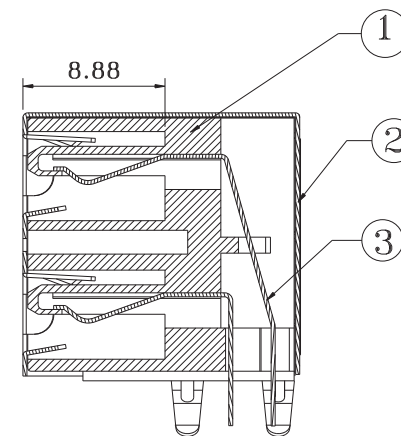
PCB LAYOUT  
(BOTTOM VIEW)



## ORDER INFORMATION:

DUSBA1 - 084 -  $\frac{X}{a}$  -  $\frac{X}{b}$   $\frac{X}{c}$  -  $\frac{X}{d}$

- a. Plated selection :  
 1 : Gold Flash  
 2 : Gold 30u"  
 b. Plastic Color :  
 B : Black  
 W : White  
 c. Plastic material :  
 P : P.B.T (standard)  
 N : Nylon 9T  
 d. Pack selection:  
 D : Disk Pack



SECTION A-A

NO.	NAME	MATERIAL	FINISH	REMARK	Q'TY
1	HOUSING	PBT G.F.	BLACK		1
2	SHELL	BRASS T:0.25 mm	NICKEL PLATED	NI:80~120u"	1
3	PIN TERM.	PHOS. BRONZE T:0.25mm	GOLD/TIN PLATED	Gold:1~3u"; NI:40~60u"; TIN:120u" (100% pure Tin of lead free plating)	8

GENAL TOLERANCE  ± 0.30  UNIT :mm	DATE H. D. LI	PART NO DUSBA1-084-X-XX-X
	DESIGN H. D. LI	TITLE DUAL USB A TYPE
	CHECKED Y. M. LU	
	APPROVED J. F. KANG	



宏揚精密有限公司  
HOJAR PRECISION CO., LTD.