

ORDER INFORMATION:

DUSBA1 - 085 - $\frac{X}{a}$ - $\frac{XX}{b c}$ - $\frac{X}{d}$

a. Plated selection :

- 1 : Gold Flash
- 2 : Gold 30u"

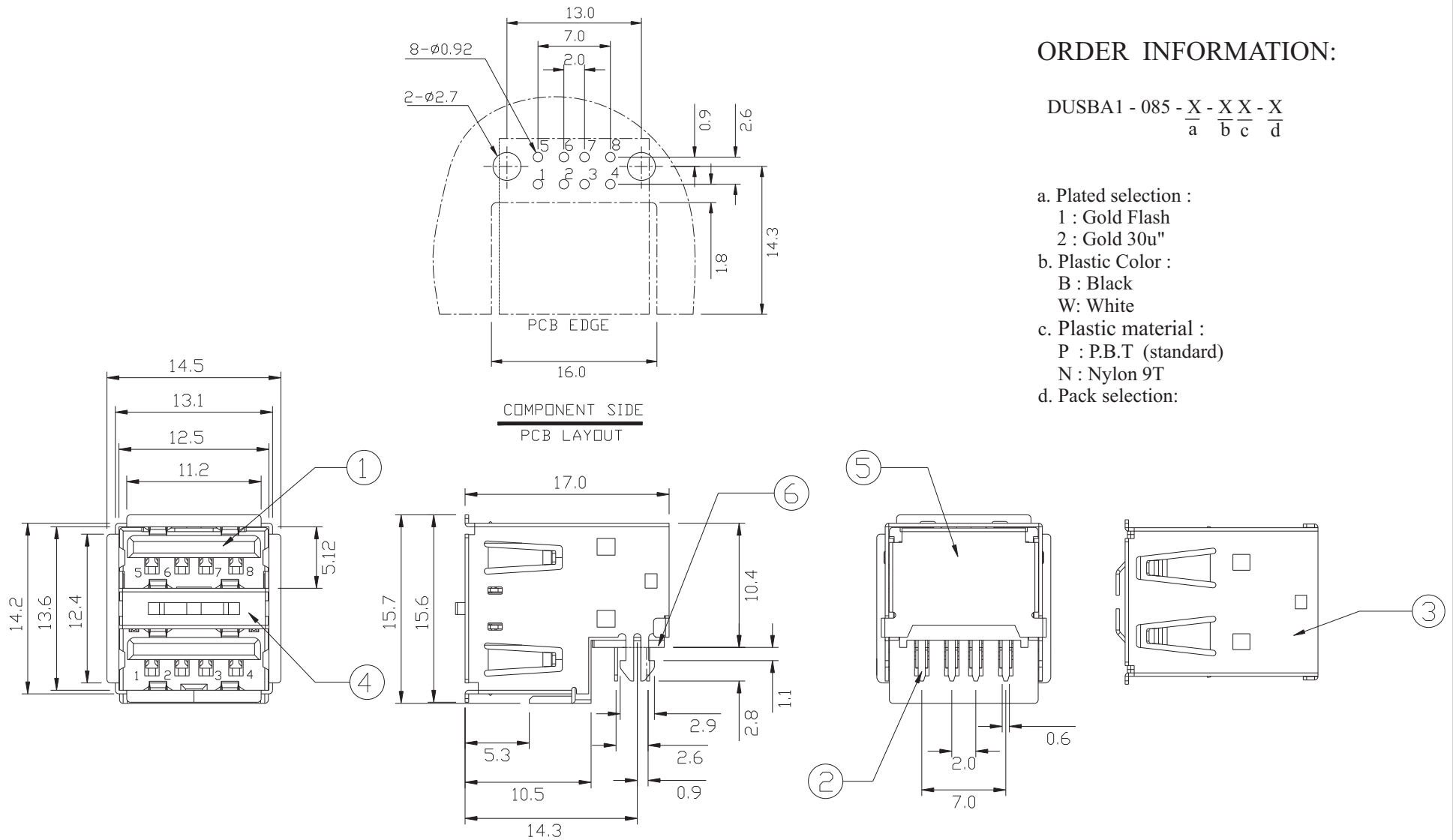
b. Plastic Color :

- B : Black
- W : White

c. Plastic material :

- P : P.B.T (standard)
- N : Nylon 9T

d. Pack selection:



NO.	NAME	MATERIAL	FINISH	Q'TY	REMARK
1	HOUSING	PBT G.F.	BLACK	1	
2	PIN TERM.	PHOS. BRONZE	GOLD-TIN PLATED	8	Gold:1~3u"; NI:40~60u"; TIN:120u" (100% pure Tin of lead free plating)
3	SHELL	BRASS,0.3mm	NICKEL PLATED	1	NI:80~120u"
4	SHELL	BRASS,0.3mm	NICKEL PLATED	1	NI:80~120u"
5	SHELL	SPCC,0.3mm	NICKEL PLATED	1	NI:80~120u"
6	BOTTOM COVER	PBT G.F.	BLACK	1	

GENERAL TOLERANCE ± 0.30	DATE H. D. LI	PART NO DUSBA1-085-X-XX-X
	DESIGN H. D. LI	TITLE DUAL USB A TYPE 8 PIN DIP
	CHECKED Y. M. LU	
UNIT :mm	APPROVED J. F. KANG	宏揚精密有限公司 HOJAR PRECISION CO., LTD.