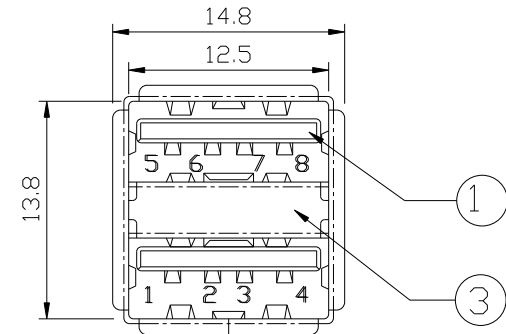
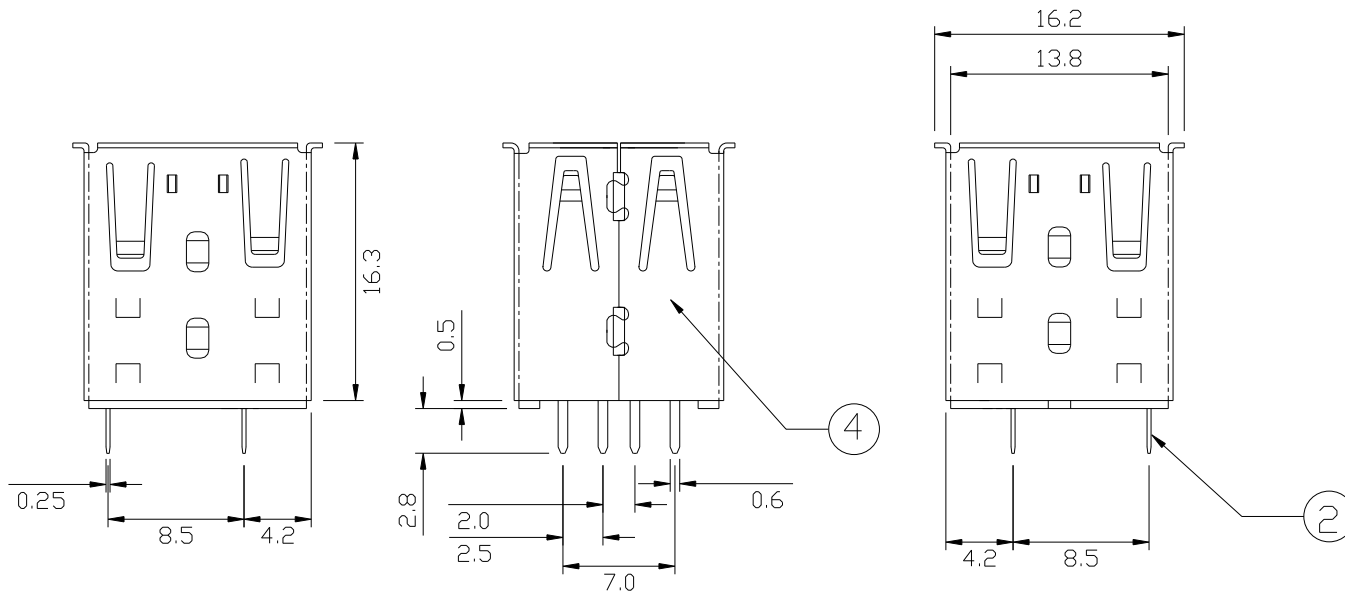
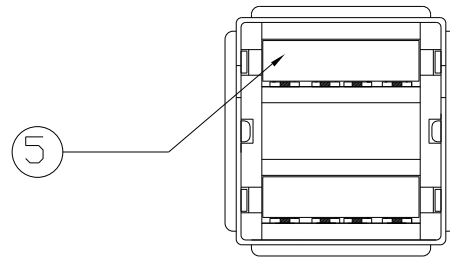
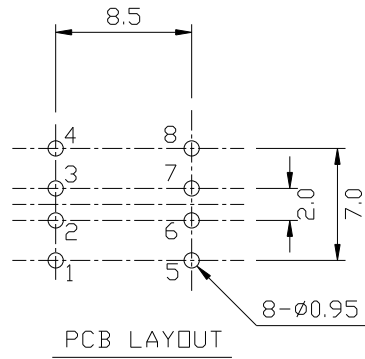



ORDER INFORMATION:

DUSBA1 - 083V - $\frac{X}{a}$ - $\frac{X}{b}$ $\frac{X}{c}$ - $\frac{X}{d}$

- a. Plated selection :
 - 1 : Gold Flash
 - 2 : Gold 30u"
- b. Plastic Color :
 - B : Black
 - W : White
- c. Plastic material :
 - P : P.B.T (standard)
 - N : Nylon 9T
- d. Pack selection:
 - D : Disk Pack



NO.	NAME	MATERIAL	FINISH	Q'TY	REMARK
1	HOUSING	PBT G.F.	WHITE	1	
2	PIN TERM.	PHOS. BRONZE	GOLD-TIN PLATED	8	Gold:1~3u"; NI:40~60u"; TIN:120u" (100% pure Tin of lead free plating)
3	SHELL	BRASS,0.3mm	NICKEL PLATED	1	NI:80~120u"
4	SHELL	BRASS,0.3mm	NICKEL PLATED	1	NI:80~120u"
5	SPEACER	PC	NATURAL	2	

GENAL TOLERANCE ± 0.3	DATE	H. D. LI	PART NO
	DESIGN	H. D. LI	DUSBA1-083V-X-XX-X
	CHECKED	Y. M. LU	TITLE
	APPROVED	J. F. KANG	DUAL USB TYPE A VERTICAL MODLING
UNIT :mm			 宏揚精密有限公司 HOJAR PRECISION CO., LTD.