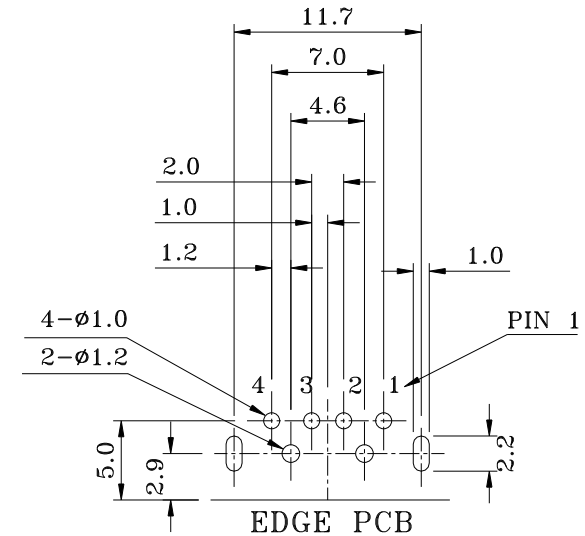
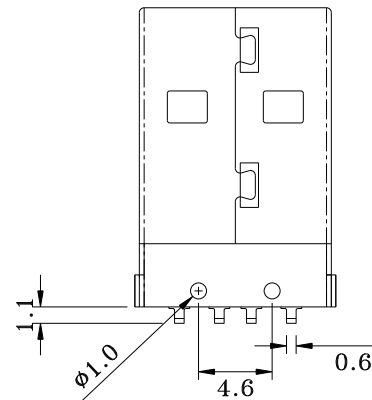
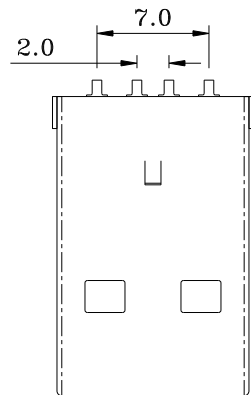
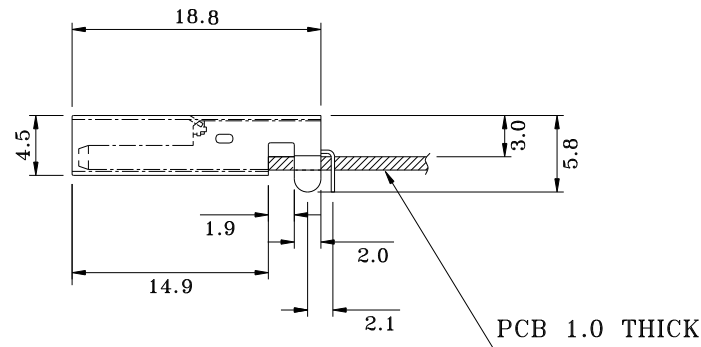
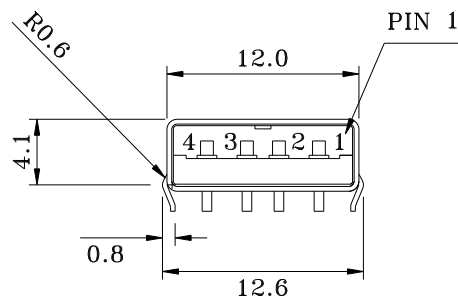


# ORDER INFORMATION:


MUSBA1-041 -  $\frac{X}{a}$  -  $\frac{X}{b}$  N -  $\frac{X}{C}$

- a. Contact Gold Plated :
  - 1 : Gold Flash
  - 2 : Gold 30u"
- b. Plastic Color :
  - B : Black
  - W : White
- c. Park selection :
  - D : Disk park



COMPONENT SIDE  
(PCB LAYOUT)

NO.	NAME	MATERIAL	FINISH	REMARK	Q'TY
1	HOUSING	NYLON PA9T G.F.	BLACK		1
2	PIN TERM.	BRASS EH T:0.25 mm	GOLD/TIN PLATED	Gold:1~3u" ; NI:40~60u" ; TIN:120u" (100% pure Tin of lead free plating)	4
3	SHELL	BRASS T:0.3 mm	NICKEL PLATED	NI:2~3u	1

GENAL TOLERANCE ± 0.30	DATE H. D. LI	PART NO MUSBA1-041-X-XN-X
	DESIGN H. D. LI	TITLE USB TYPE A PLUG FLAT 90度 DIP
	CHECKED Y. M. LU	
UNIT :mm	APPROVED J. F. KANG	 宏揚精密有限公司 HOJAR PRECISION CO., LTD.