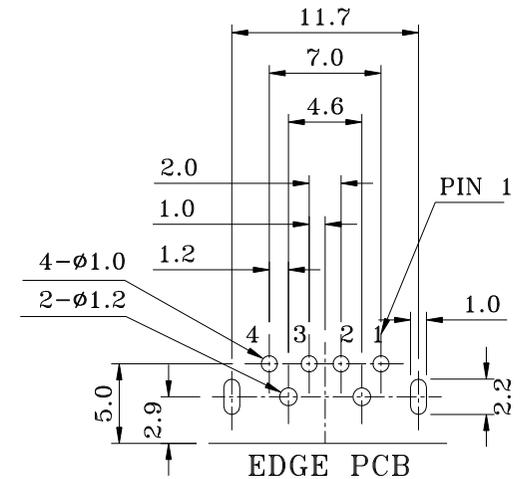
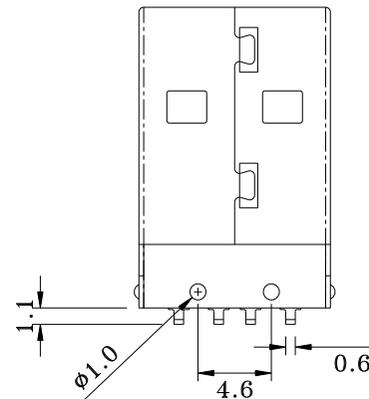
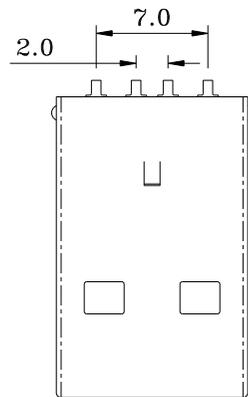
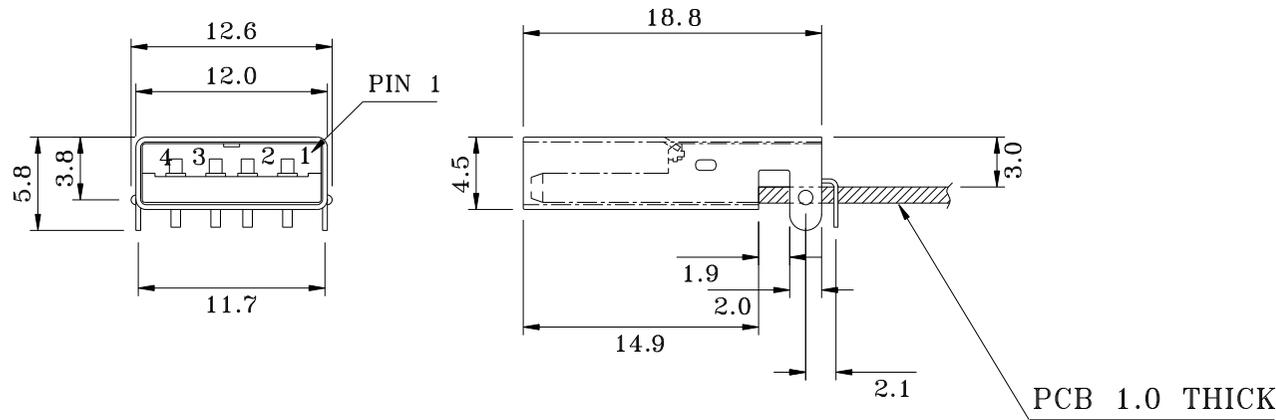


ORDER INFORMATION:

MUSBA1-042 - $\frac{X}{a}$ - $\frac{X}{b}$ N - $\frac{X}{C}$

- a. Contact Gold Plated :
 - 1 : Gold Flash
 - 2 : Gold 30u"
- b. Plastic Color :
 - B : Black
 - W : White
- c. Park selection :
 - D: Disk park



COMPONENT SIDE
(PCB LAYOUT)

NO.	NAME	MATERIAL	FINISH	REMARK	Q'TY
1	HOUSING	NYLON PA9T G.F.	BLACK		1
2	PIN TERM.	BRASS EH T:0.25 mm	GOLD/TIN PLATED	Gold:1~3u" ; NI:40~60u" ; TIN:120u" (100% pure Tin of lead free plating)	4
3	SHELL	BRASS T:0.3 mm	NICKEL PLATED	NI:2~3u	1

GENAL TOLERANCE ± 0.30	DATE H. D. LI	PART NO MUSBA1-042-X-XX-X
	DESIGN H. D. LI	TITLE USB TYPE A PLUG FLAT 90度 DIP
	CHECKED Y. M. LU	
UNIT :mm	APPROVED J. F. KANG	宏揚精密有限公司 HOJAR PRECISION CO., LTD.