

# ORDER INFORMATION:

SMUSBA1-043 -  $\frac{X}{a}$  -  $\frac{X}{b}$  N -  $\frac{X}{c}$

a. Contact Gold Plated :

1 : Gold Flash

2 : Gold 30u"

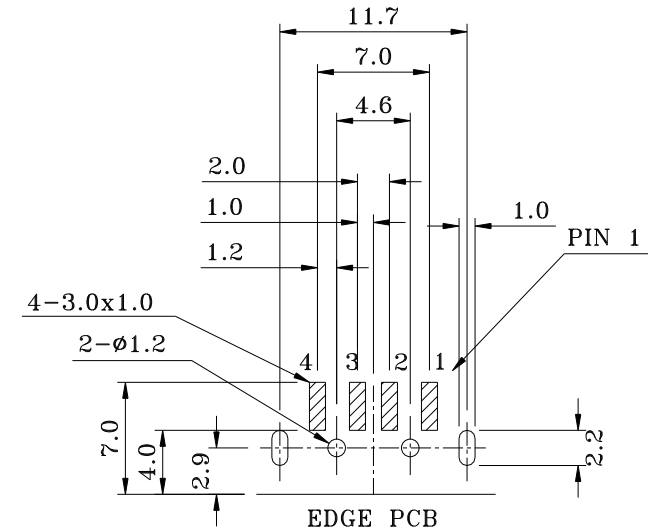
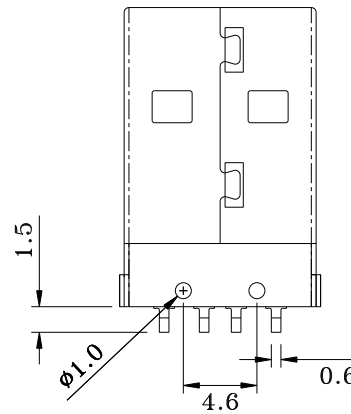
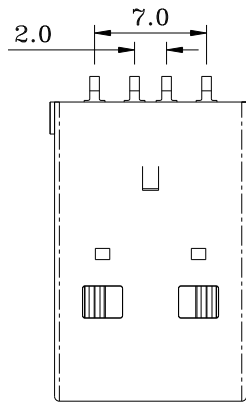
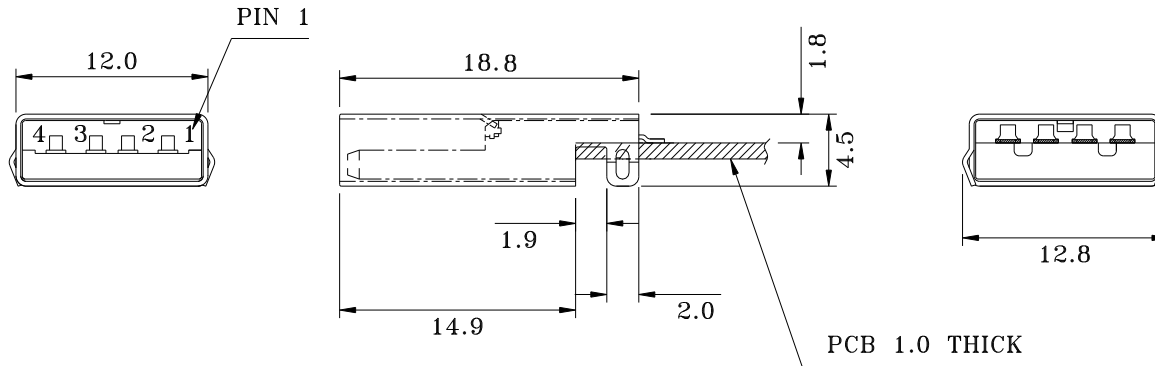
b. Plastic Color :

B : Black

W : White

C. Park selection :

D: Disk park



COMPONENT SIDE  
(PCB LAYOUT)

NO.	NAME	MATERIAL	FINISH	REMARK	Q'TY
1	HOUSING	NYLON PA9T G.F.	BLACK		1
2	PIN TERM.	BRASS EH T:0.25 mm	GOLD/TIN PLATED	Gold:1~34u" ; NI:40~60u" ; TIN:120u" (100% pure Tin of lead free plating)	4
3	SHELL	BRASS T:0.3 mm	NICKEL PLATED	NI:2~3u	1

GENERAL TOLERANCE	DATE	PART NO
± 0.30	H. D. LI	SMUSBA1-043-X-XN-X
	DESIGN	H. D. LI
	CHECKED	Y. M. LU
	APPROVED	J. F. KANG
UNIT :mm		

宏揚精密有限公司  
HOJAR PRECISION CO., LTD.