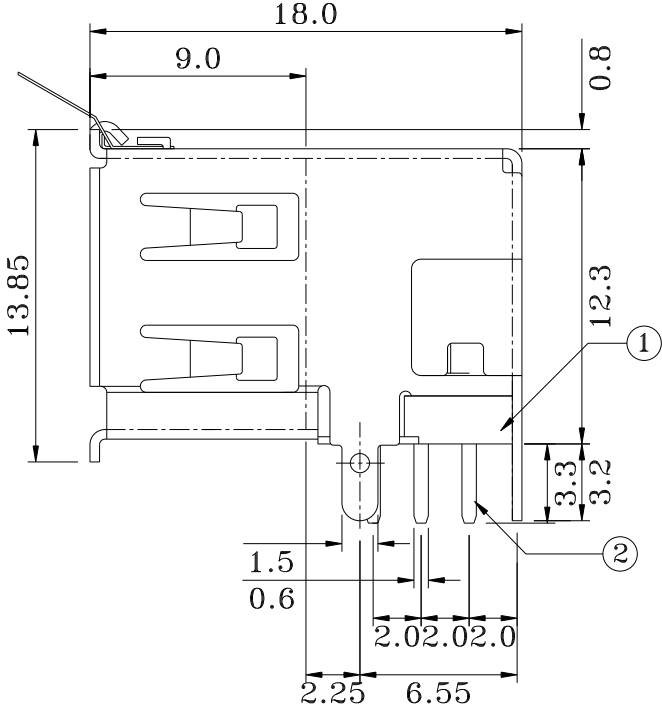
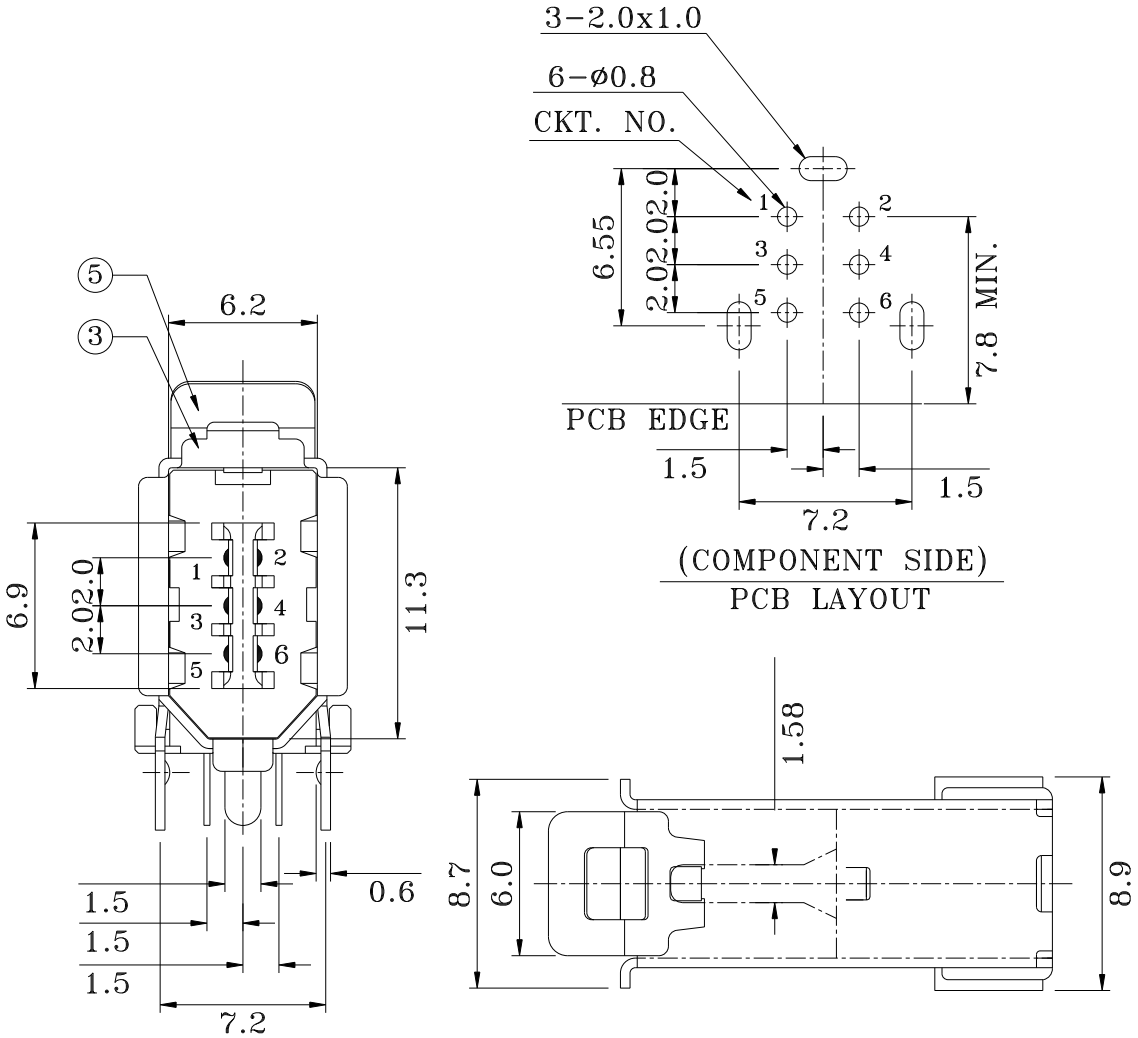



# ORDER INFORMATION:

H1394 - 06V -  $\frac{X}{a}$  - S -  $\frac{X}{b}$  P -  $\frac{X}{c}$

- a. Plated selection:  
1:Gold 30u"
- b. Plastic selection:  
B: BLACK
- c. Pack selection:  
D:Disk Pack



NO.	NAME	MATERIAL	FINISH	REMARK	Q'TY
1	HOUSING	P.B.T.	BLACK		1
2	PIN TERMINAL	BRASS; t:0.2	GOLD/TIN PLATED	Gold:30 $\mu$ " NI:40~60 $\mu$ " TIN:120 $\mu$ " (100% pure Tin of lead free plating)	6
3	SHELL	BRASS; t:0.4	NICKEL PLATED	NI:2~3 $\mu$	1
4	BOTTOM COVER	P.B.T.	BLACK		1
5	SPRING SHIELD	STAINLESS	THK:0.1		1

GENAL TOLERANCE $\pm 0.3$	DRAW M. C. WANG	PART NO H1394-06V-X-S-XP-X
	DESIGN H. D. LI	TITLE 1394 UPRIGHT
	CHECKED Y. M. LU	
UNIT :mm	APPROVED J. F. KANG	 宏揚精密有限公司 HOJAR PRECISION CO., LTD.