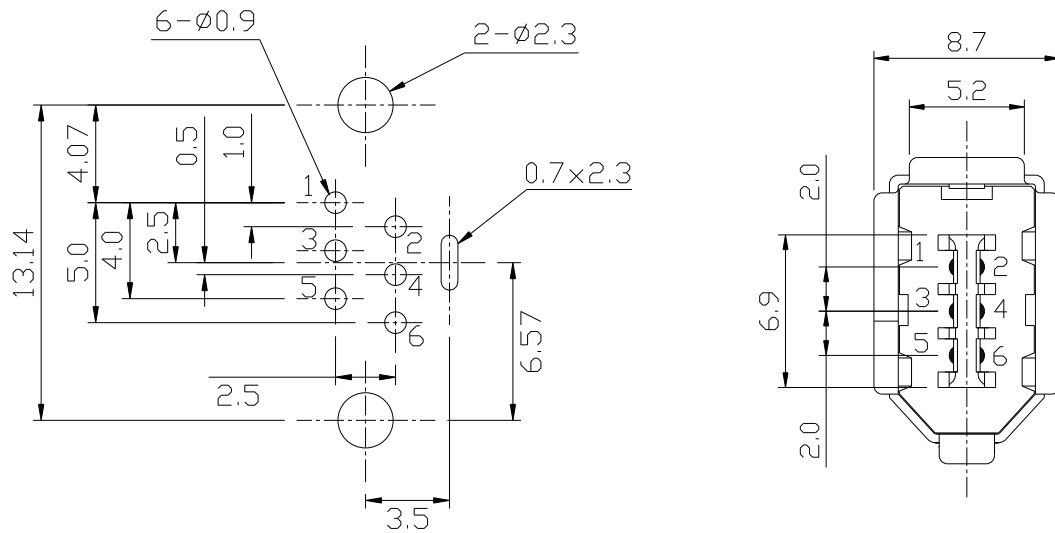


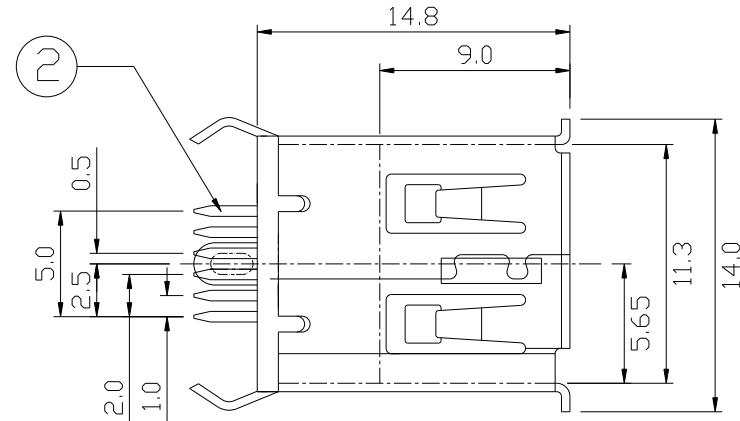
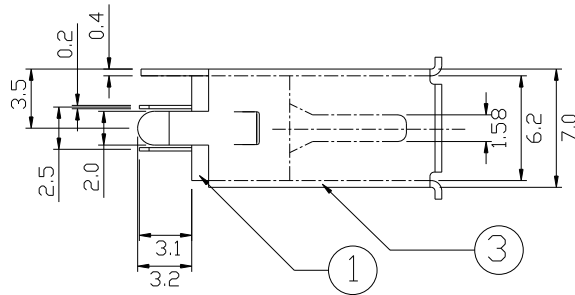
ORDER INFORMATION:

HS1394 - 062 - $\frac{X}{a}$ - $\frac{X}{b}$ P - $\frac{X}{c}$


- a. Plated selection:
1:Gold 30u"
- b. Plastic selection:
B: BLACK
W: WHITE
- c. Pack selection:
D:Disk Pack



COMPONENT SIDE
(PCB LAYOUT)



NO.	NAME	MATERIAL	FINISH	REMARK	Q'TY
1	HOUSING	PBT G.F.	BLACK ; WHITE		1
2	PIN TERMINAL	BRASS; t:0.25	GOLD/TIN PLATED	Gold:30u" Ni:40~60u" TIN:120u" (100% pure Tin of lead free plating)	6
3	SHELL	BRASS; t:0.4	NICKEL PLATED	Ni:80~120u"	1
4	BOTTOM COVER	PBT G.F.	BLACK ; WHITE		1

GENAL TOLERANCE ± 0.3	DRAW M. C. WANG	PART NO HS1394-062-X-XP-X
	DESIGN H. D. LI	TITLE IEEE 1394 VERTICAL 6PIN DIP
	CHECKED Y. M. LU	
	APPROVED J. F. KANG	
UNIT :mm		 宏揚精密有限公司 HOJAR PRECISION CO., LTD.