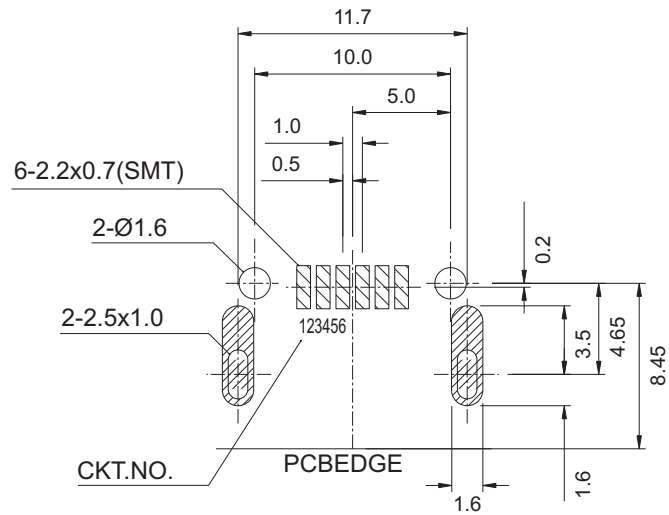


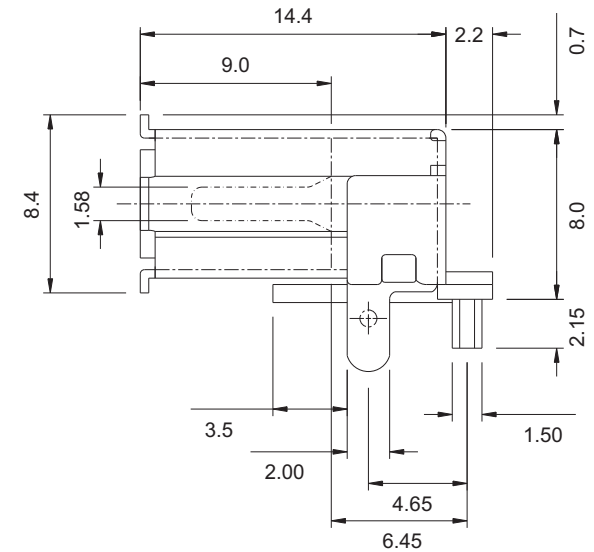
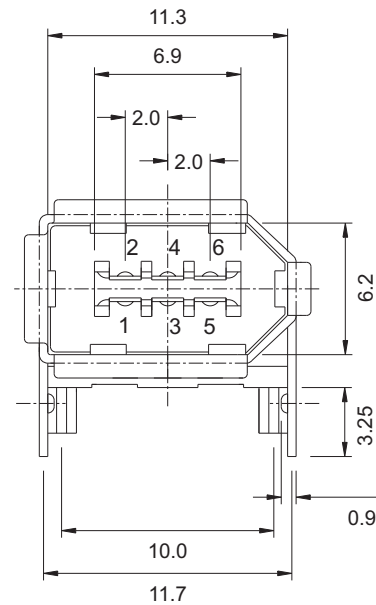
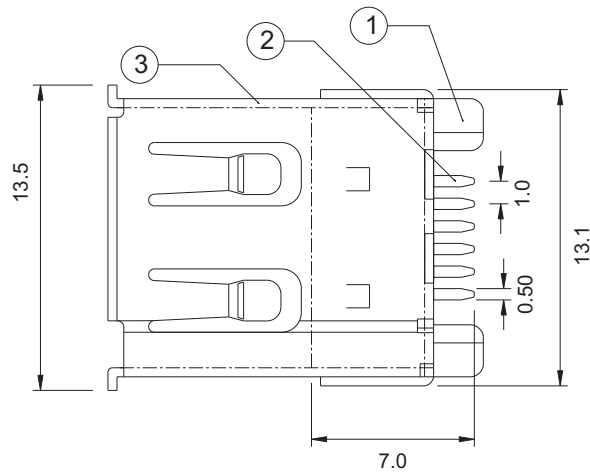
ORDER INFORMATION:

SH1394 - 061 - $\frac{X}{a}$ - $\frac{XN}{b}$ - $\frac{X}{c}$


- a. Plated selection:
1:Gold 30u"
- b. Plastic selection:
B: BLACK
W: WHITE
- c. Pack selection:
D:Disk Pack



(COMPONENTSIDE)
PCBLAYOUT



NO.	NAME	MATERIAL	FINISH	REMARK	Q'TY
1	HOUSING	NYLONPA9TG.F.	BLACK ,WHITE		1
2	PINTERMINAL	BRASS;±0.25	GOLD/TINPLATED	Gold:30u"; Ni:40~60u"; TIN:120u" (100 pureTinofleadfreeplating)	6
3	SHELL	BRASS;±0.4	NICKELPLATED	NI:80~120u"	1

GENAL TOLERANCE ± 0.3	DRAW M. C. WANG	PART NO SH1394-061-X-XN-X
	DESIGN H. D. LI	TITLE 1394 FLAT 90度 SMT
	CHECKED Y. M. LU	
UNIT :mm	APPROVED J. F. KANG	 宏揚精密有限公司 HOJAR PRECISION CO., LTD.