


ORDER INFORMATION:

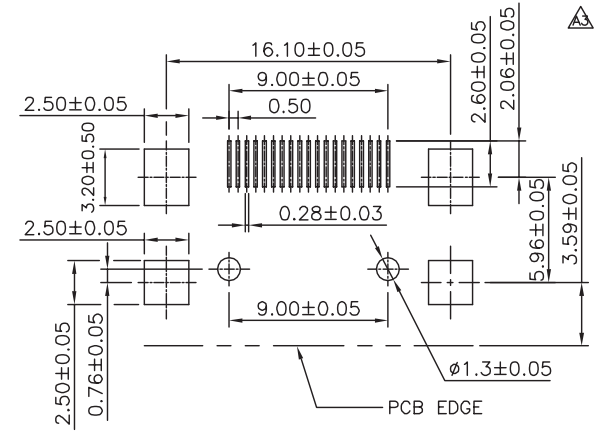
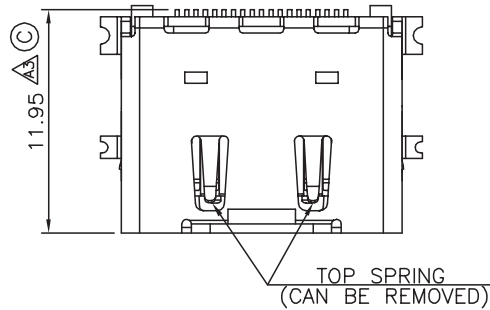
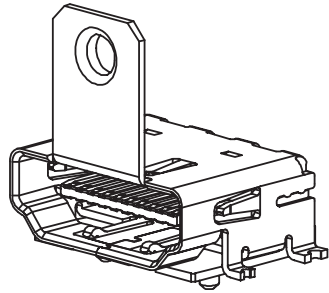
SHDMI1 - $\frac{19}{a}$ $\frac{B}{b}$ - $\frac{XX}{c}$ $\frac{X}{d}$ - S - $\frac{XX}{e}$ $\frac{X}{f}$ - $\frac{X}{g}$

Material and Finish:

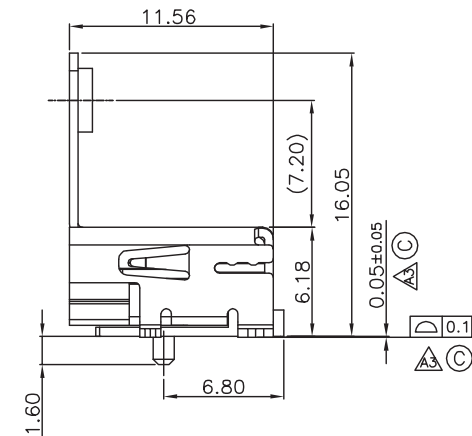
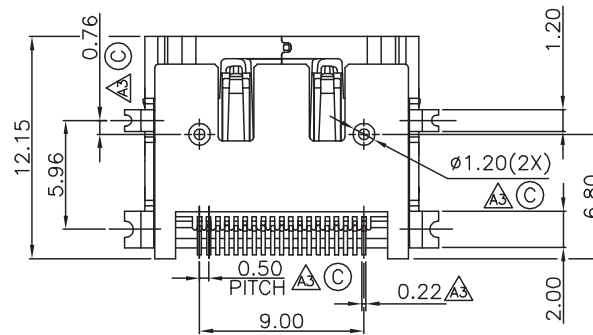
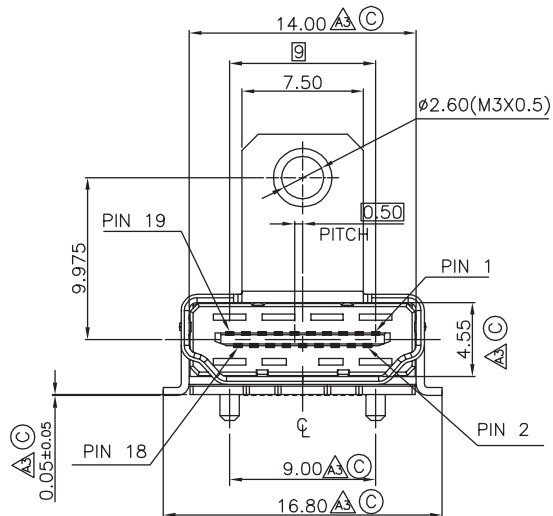
1. Insulator Material: L.C.P. +30% Glass Filled, UL94V-0, Color: Black
2. Contact Material: Brass (C2680-EH), t=0.2mm
3. Shell Material: Brass (C2680 1/2H), t=0.5mm
4. Contact Area Plated: 15u" Selective Gold For One Side
Plated Over 50u" Nickel
5. Solder Area Plated: 100u" Tin Plated For Double Sides
Over 50u" Nickel
6. Shell Plated: 100u" Nickel Plated
7. Current Rating: 0.5 Amp Min.
8. Insulation Resistance: Unmated: 100 Mohms Min.
Mated: 10 Mohms Min.
9. Contact Resistance: 10 mohms Max.
10. Dielectric Withstanding Voltage: 300V AC
11. Operation Temperature: -55°C to +85°C
- △ 12. Control Dimensions Indicated From ©


- a. Pin of numbers:
19
- b. Shell Type :
B: B=SMD + Flange
- c. Contact Plated selection :
1 : Selective Gold Flash
2 : Selective Gold 15u" (Normal)
3 : Selective Gold 30u"
- d. Shell Plated selection :
1 : Nickel (standard)
2 : Gold Flash
- f. Plastic Color :
B : black
- g. Plastic material
L : L.C.P.
- h. Pack selection:
D: Disk Pack
R: Reel Pack

GENERAL TOLERANCE X. ± 0.30 .X ± 0.25 .XX ± 0.20	DRAW 2006/12/25 M. C. WANG	PART NO SHDMI1-19B-XX-S-XX-X
	DESIGN H. D. LI	TITLE HDMI Connector RIGHT ANGLE SMD JACK W/ FLANGE W/POLARIZING PEG
	CHECKED Y. M. LU	
UNIT :mm	APPROVED J. F. KANG	 宏揚精密有限公司 HOJAR PRECISION CO., LTD.



RECOMMENDED PCB LAYOUT (THICKNESS=1.6±0.15mm)



GENERAL TOLERANCE X. ± 0.30 .X ± 0.25 .XX ± 0.20	DRAW 2006/12/25 M. C. WANG	PART NO SHDMI1-19B-XX-S-XX-X
	DESIGN H. D. LI	TITLE HDMI Connector RIGHT ANGLE SMD JACK W/ FLANGE W/POLARIZING PEG
	CHECKED Y. M. LU	
	APPROVED J. F. KANG	
UNIT :mm		 宏揚精密有限公司 HOJAR PRECISION CO., LTD.