


ORDER INFORMATION:

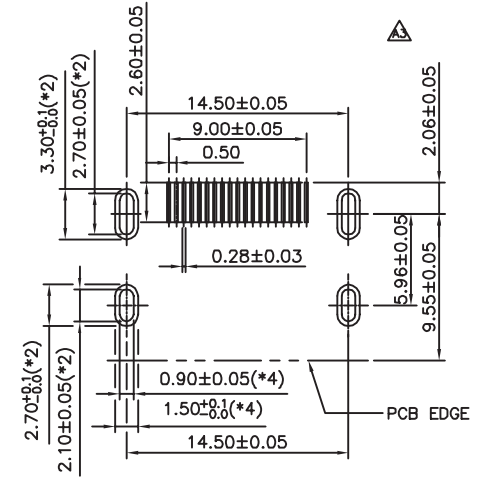
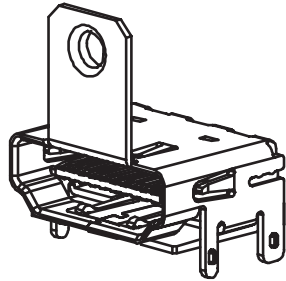
SHDMI1 - $\frac{19}{a} \frac{D}{b} - \frac{XX}{c} \frac{S}{d} - \frac{XX}{e} \frac{X}{f} - \frac{X}{g}$

Material and Finish:

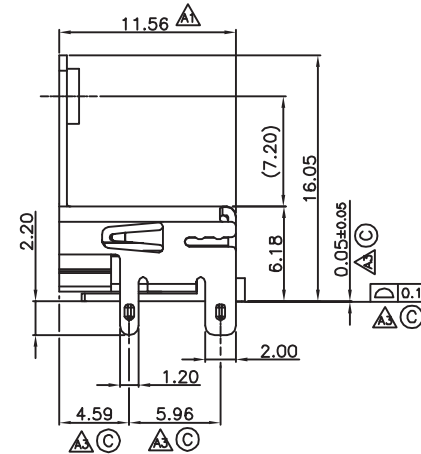
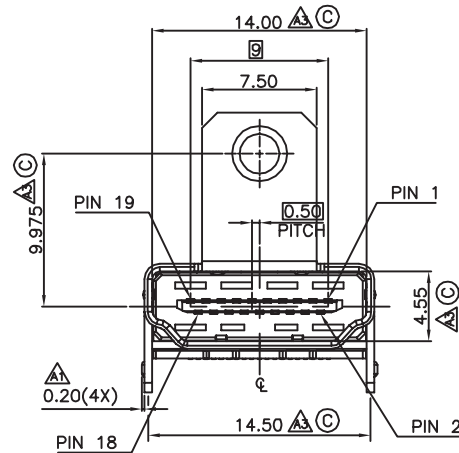
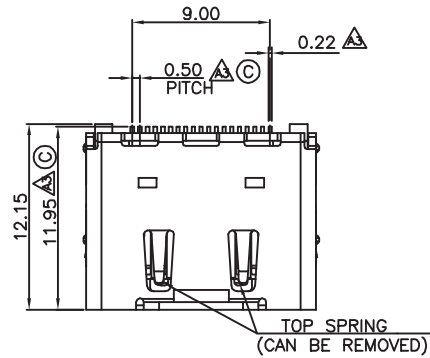
1. Insulator Material: L.C.P. +30% Glass Filled, UL94V-0, Color: Black
2. Contact Material: Brass (C2680-EH), t=0.2mm
3. Shell Material: Brass (C2680 1/2H), t=0.5mm
4. Contact Area Plated: REMARK X
5. Solder Area Plated: REMARK Y
6. Shell Plated: REMARK Z
7. Current Rating: 0.5 Amp Min.
8. Insulation Resistance: Unmated: 100 Mohms Min.
Mated: 10 Mohms Min.
9. Contact Resistance: 10 mohms Max.
10. Dielectric Withstanding Voltage: 300V AC
11. Operation Temperature: -55°C to +85°C
12. Control Dimensions Indicated From ©

- a. Pin of numbers:
19
- b. Shell Type :
D: D=DIP + Flange
- c. Contact Plated selection :
1 : Selective Gold Flash
2 : Selective Gold 15u" (Normal)
3 : Selective Gold 30u"
- d. Shell Plated selection :
1 : Nickel (standard)
2 : Gold Flash
- f. Plastic Color :
B : black
- g. Plastic material
L : L.C.P.
- h. Pack selection:
D: Disk Pack
R: Reel Pack

GENERAL TOLERANCE X. ± 0.30 .X ± 0.25 .XX ± 0.20	DRAW 2007/08/06 M. C. WANG	PART NO SHDMI1-19D-XX-S-XX-X
	DESIGN H. D. LI	TITLE HDMI Connector RIGHT ANGLE SMD JACK W/ FLANGE
	CHECKED Y. M. LU	
UNIT :mm	APPROVED J. F. KANG	 宏揚精密有限公司 HOJAR PRECISION CO., LTD.



RECOMMENDED PCB LAYOUT (THICKNESS=1.6±0.15mm)



TITLE	PACKING	REMARK		
		X One Side Plated Over 50u" Nickel	Y Double Sides Plated Over 50u" Nicke	Z Shell Plated
SHDMI-19D-21-S-BL-D	Disk	Selective 15u" Gold Plated	100u" Tin Plated	100u" Nickel Plated
SHDMI-19D-21-S-BL-R	REEL	Selective 15u" Gold Plated	100u" Tin Plated	100u" Nickel Plated
SHDMI-19D-11-S-BL-D	Disk	Selective Gold Flash	100u" Tin Plated	100u" Nickel Plated
SHDMI-19D-11-S-BL-R	REEL	Selective Gold Flash	100u" Tin Plated	100u" Nickel Plated
SHDMI-19D-1G1-S-BL-D	REEL	Gold Flash	Gold Flash	100u" Nickel Plated
SHDMI-19D-2G1-S-BL-R	REEL	15u" Gold	15u" Gold	100u" Nickel Plated
SHDMI-19D-22-S-BL-R	Disk	Selective 15u" Gold Plated	100u" Tin Plated	Gold Flash Plated

GENERAL TOLERANCE .X ± 0.30 .X ± 0.25 .XX ± 0.20	DRAW 2007/08/06 M. C. WANG	PART NO SHDMI1-19D-XX-S-XX-X
	DESIGN H. D. LI	TITLE HDMI Connector RIGHT ANGLE SMD JACK W/ FLANGE
	CHECKED Y. M. LU	
UNIT :mm	APPROVED J. F. KANG	宏揚精密有限公司 HOJAR PRECISION CO., LTD.