

## SPECIFICATIONS

Current Rate: 5 Amps

Insulator Resistance : 5000M  $\Omega$  Min at 500V DC

Dielectric Strength : 1000V Per minute

Operation Temperature : -55°C ~ +105°C

## MATERIAL

Insulator : P.B.T +30% Glass Fiber (UL94V-0)

Contact : Brass

Contact Plated : Gold

Shell : Steel, Nickle plated

## ORDER INFORMATION:


FDSUB - 25 1 -  $\frac{X}{a}$ 

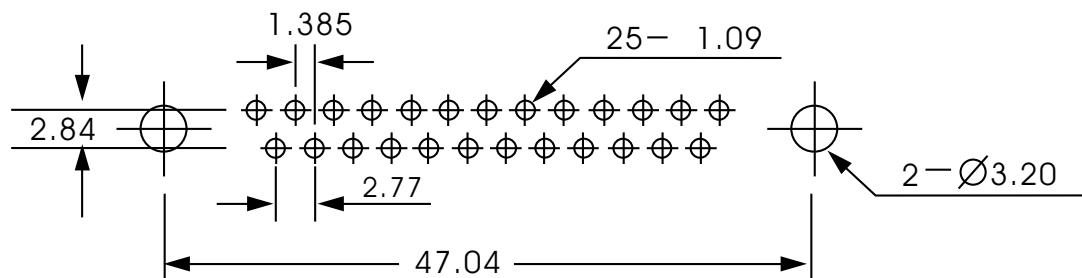
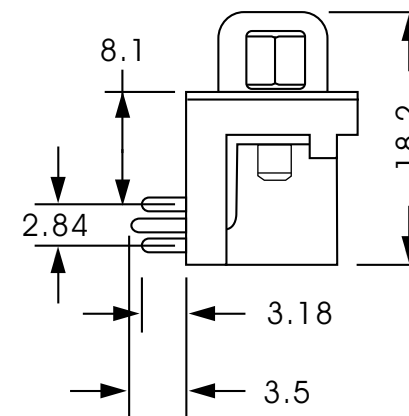
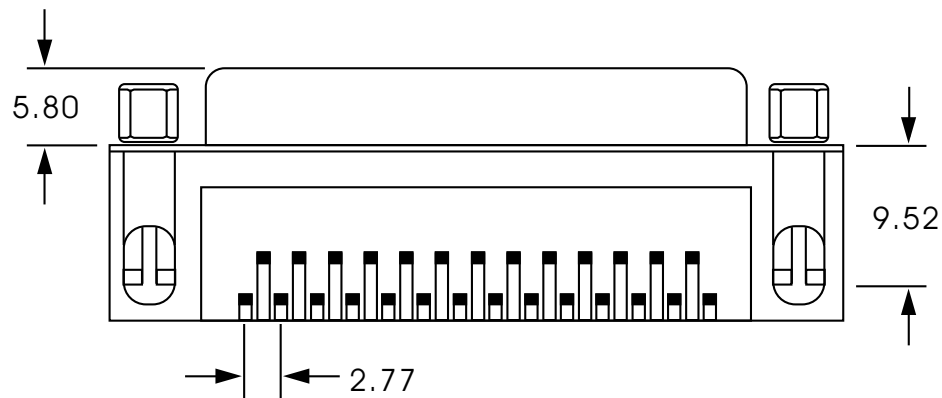
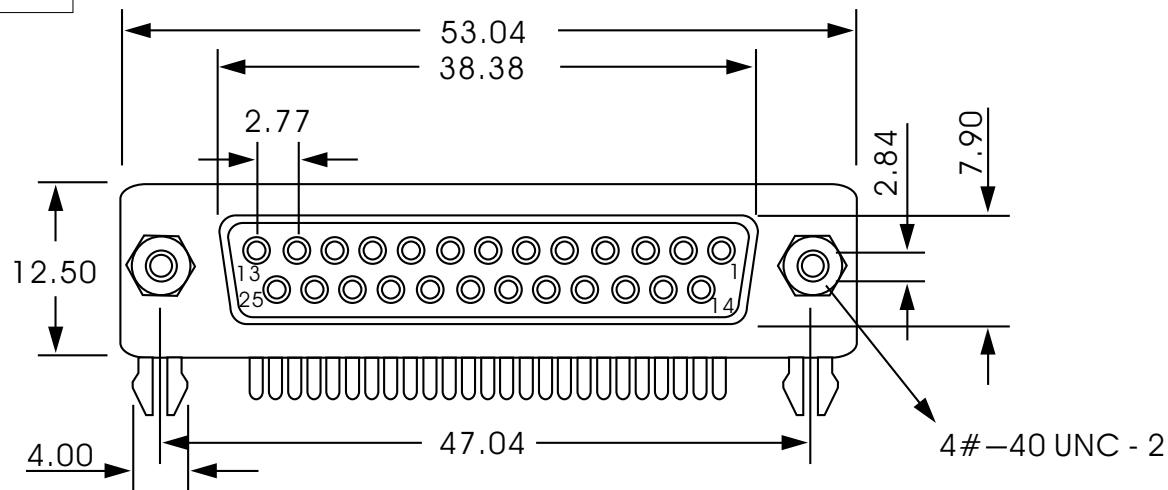
a. Pack :

D : Disk Pack


### VERSION & EC DESCRIPTION

DATE	VERSION	PAGE	DESCRIPTION
2005/02/24	A	18-19	Add FDSUB - 25 1 - X Plan

GENAL TOLERANCE	DRAW DATE	2005/02/24 H. D. LI	PART NO
.X $\pm$ 0.5	DESIGN	H. D. LI	FDSUB - 25 1 - X
.XX $\pm$ 0.30	CHECKED	Y. M. LU	TITLE
.XXX $\pm$ X.XX	APPROVED	J. F. KANG	D-SUB Female 25Pin 叉鎖
UNIT :mm			 宏揚精密有限公司 HOJAR PRECISION CO. : LTD.



P.C.B LAYOUT

GENERAL TOLERANCE .X ± 0.5 .XX ± 0.30 .XXX ± X.XX	DRAW DATE	2005/02/24 H. D. LI	PART NO FDSUB - 25 1 - X
	DESIGN	H. D. LI	TITLE D-SUB Female 25Pin 叉鎖
	CHECKED	Y. M. LU	
	APPROVED	J. F. KANG	
UNIT :mm			 宏揚精密有限公司 HOJAR PRECISION CO. : LTD.