


# ORDER INFORMATION:

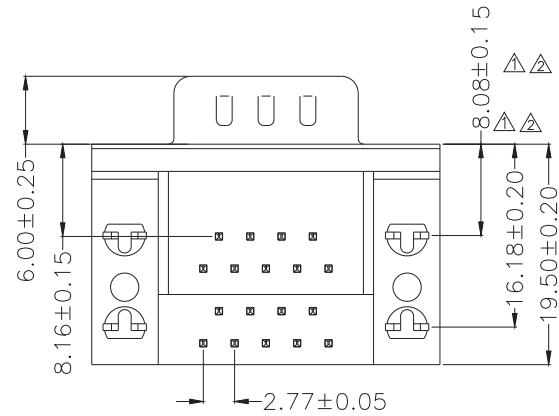
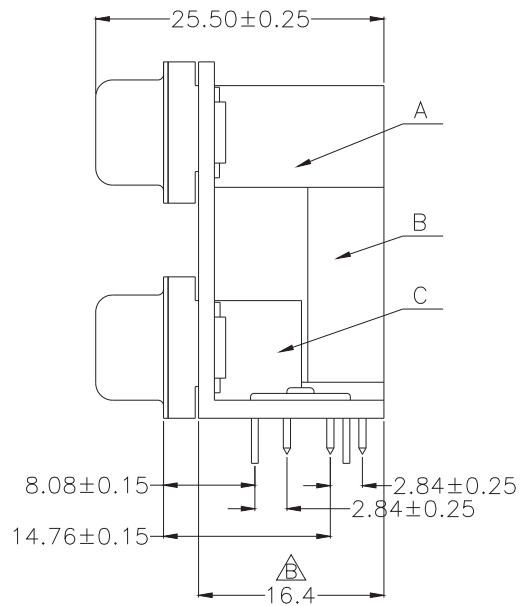
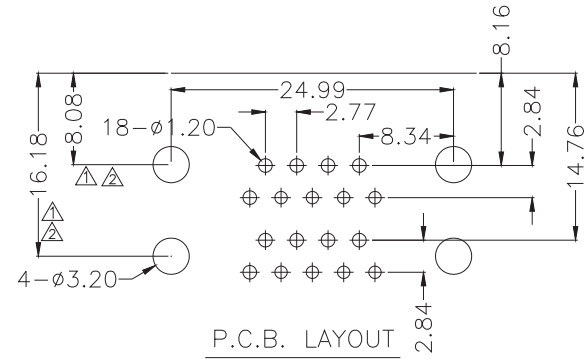
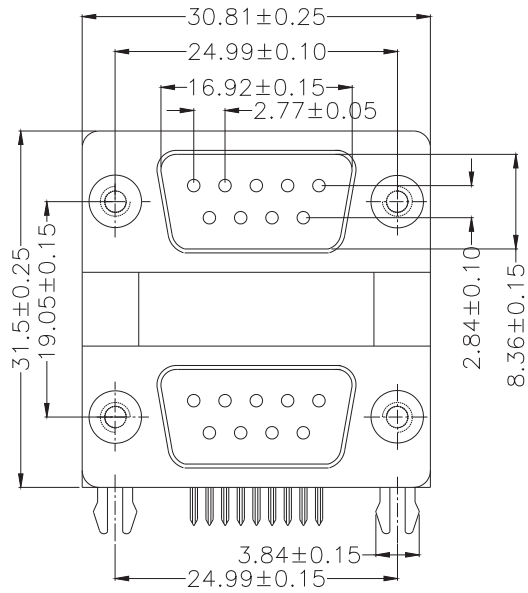
MATERIAL:  
 HOUSING:P.B.T  
 CONTACT: COPPER ALLOY, GOLD PLATED IN  
 CONTACT AREA TIN PLATED IN SOLDER AREA.  
 BOARO LOCK: COPPER ALLOY, TIN PLATED  
 SQUARE RIVET: COPPER ALLOY, NICKEL PLATED  
 SHELL: STEEL,NICKEL PLATED  
 SHELL BRACKET:BRASS ,NICKEL PLATED


ELECTRICAL CHARACTERISTICS:  
 RATED CURRENT:5A  
 RATED VOLTAGE: 300V DG  
 INSULATION RESISTANCE:1000M OHMS MIN.AT 500V DC  
 CONTACT RESISTANCE: 30m OHMS MAX.  
 DIELECTRIC WITHSTANDING VOLTAGE: 1000V AC FOR  
 ONE MINUTE  
 OPERATING TEMPERATURE: -55°C TO+105°C

DMDSUB - 09 1 -  $\frac{X}{a}$  -  $\frac{X}{b}$

- a. color:
  - B: Black
  - G: Green
  - b: Blue/322C
- b. Pack :
  - D : Disk Pack

GENAL TOLERANCE .X ± 0.5 .XX ± 0.30 .XXX ± X.XX	DRAW H. D. LI	PART NO DMDSUB-091-X-X
	DESIGN H. D. LI	TITLE D-SUB雙層 9公 叉鉚半金綠(黑,藍) 19.05
	CHECKED Y. M. LU	
UNIT :mm	APPROVED J. F. KANG	 宏揚精密有限公司 HOJAR PRECISION CO., LTD.



GENAL TOLERANCE .X ± 0.5 .XX ± 0.30 .XXX ± X.XX  UNIT :mm	DRAW	H. D. LI	PART NO <b>DMDSUB-091-X-X</b>
	DESIGN	H. D. LI	
	CHECKED	Y. M. LU	 宏揚精密有限公司 HOJAR PRECISION CO., LTD.
	APPROVED	J. F. KANG	