

ORDER INFORMATION:

SUSBM4 - 052 - $\frac{X}{a} \frac{X}{b} - \frac{X}{c} \frac{X}{d} - \frac{X}{e}$

MATERIAL:

INSULATOR : HIGH TEMPERATURE THERMOPLASTIC WITH G/F,
UL94V-0.

CONTACT : PHOSPHOR BRONZE.

CONTACT FINISH : GOLD ON MATING END, TIN ON
TERMINATION END, WITH ENTIRE
CONTACT NICKEL UNDERPLATED.

SHELL : PHOSPHOR BRONZE, NICKEL PLATED.

SPECIFICATION:

CURRENT RATING : 1AMP.

DIELECTRIC WITHSTANDING VOLTAGE : 100V AC.

INSULATION RESISTANCE : 100MΩ MIN.

CONTACT RESISTANCE : 50mΩ MAX.

OPERATING TEMPERATURE : 0°C ~ +50°C.

a. Plated selection :

1 : Gold 3u"

2 : Gold 15u"

3 : Gold 30u"

b. Shell Plated :

1 : NICKEL

c. Insulator Color :

B : Black

d. Insulator material :

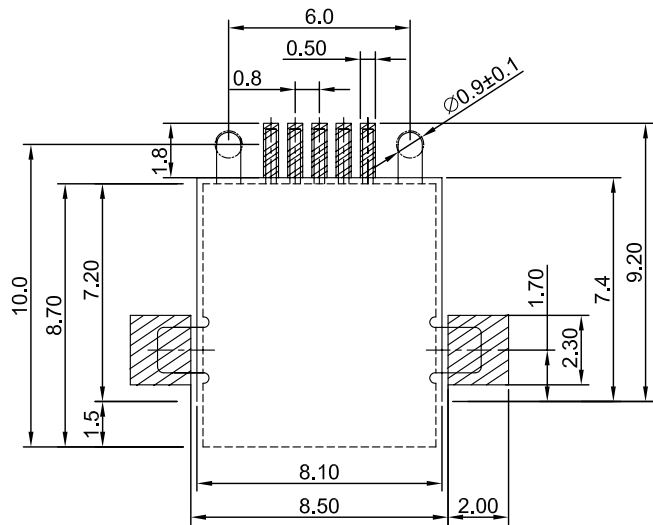
N : NYLON (standard)

e. Pack selection:

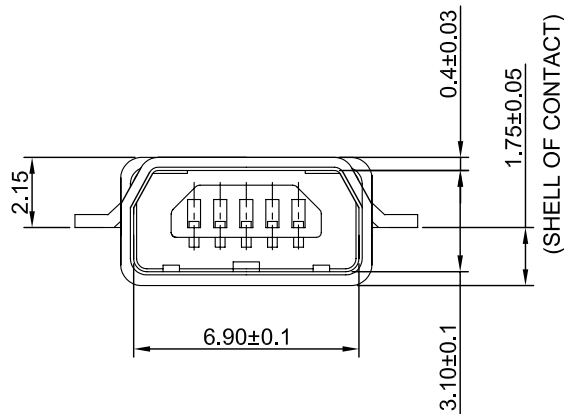
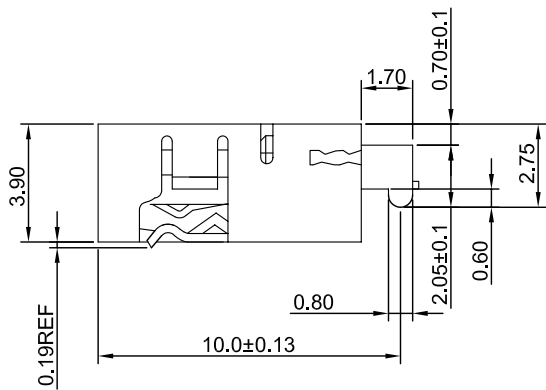
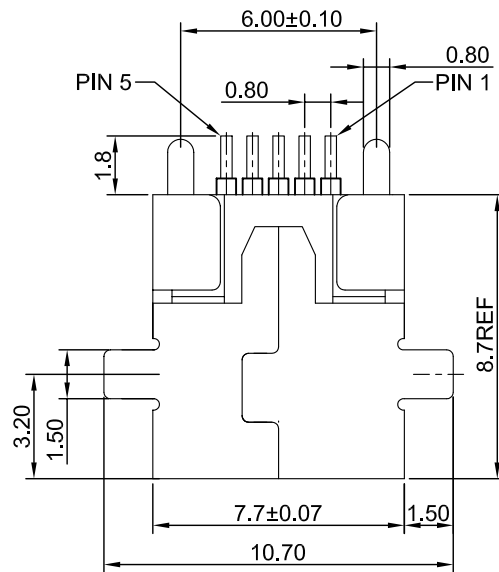
T : Tube Pack


R : Reel Pack

GENAL TOLERANCE	DATE	PART NO
.X ± 0.25	H. D. LI	SUSBM4-052-XX-XX-X
.XX ± 0.15	DESIGN	H. D. LI
.XXX ± 0.05	CHECKED	Y. M. LU
	APPROVED	J. F. KANG
UNIT :mm		 宏揚精密有限公司 HOJAR PRECISION CO., LTD.
		TITLE MINI USB AB FEMALE REVERSE OFFSET 1.75mm SMD TYPE 5PIN



RECOMMENDED PCB LAYOUT



GENAL TOLERANCE .X ± 0.25 .XX ± 0.15 .XXX± 0.05	DATE	H. D. LI	PART NO
	DESIGN	H. D. LI	SUSBM4-052-XX-XX-X
	CHECKED	Y. M. LU	TITLE
	APPROVED	J. F. KANG	MINI USB AB FEMALE REVERSE OFFSET 1.75mm SMD TYPE 5PIN
UNIT :mm			 宏揚精密有限公司 HOJAR PRECISION CO., LTD.