


VERSION

A

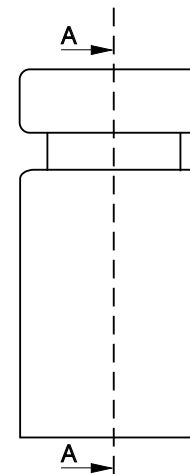
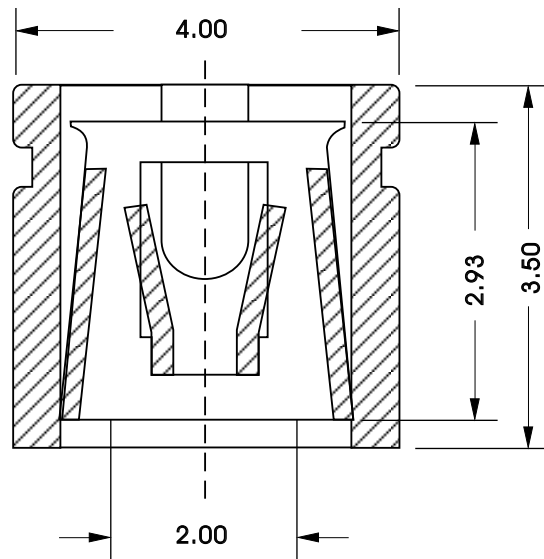
VERSION & EC DESCRIPTION

DATE	VERSION	PAGE	DESCRIPTION
2004/09/14	A	4-5	Add HJM2-021-1-O Plan

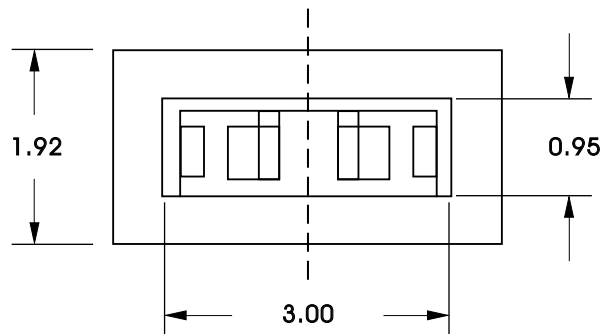
GENERAL TOLERANCE	DRAW DATE	2004/09/14	PART NO
X. ± X.XX	H. D. LI		HJM2-021-1-O
.X ± 0.20	DESIGN	H. D. LI	TITLE
.XX ± 0.10	CHECKED	Y. M. LU	Pitch 2.00mm Mini Jumper Open
.XXX ± X.XX	APPROVED	J. F. KANG	 宏揚精密有限公司 HOJAR PRECISION CO. : LTD.
UNIT :mm			


VERSION

A



SEC A - A



GENAL TOLERANCE	DRAW DATE	2004/09/14 H. D. LI	PART NO
X. ± X.XX	DESIGN	H. D. LI	HJM2-021-1-O
.X ± 0.20	CHECKED	Y. M. LU	TITLE
.XX ± 0.10	APPROVED	J. F. KANG	Pitch 2.00mm Mini Jumper Open
.XXX ± X.XX			
UNIT :mm			 宏揚精密有限公司 HOJAR PRECISION CO. : LTD.