

SPECIFICATIONS

Current Rating : 3 Amp

Insulator resistance : 1000 Meg ohms Min

Contacts resistance : 20 m ohms mix.

Dielectric withstanding : 500V AC

Operating Temperature : -55° — +85 C°

MATERIAL

Insulator : P.B.T +15% G.F UL-94V-O

ORDER INFORMATION:

HJM1-021-X-C
a

a. Color

1 : Black

R : Red

Y : Yellow


W: White

G : Green

B : Blue

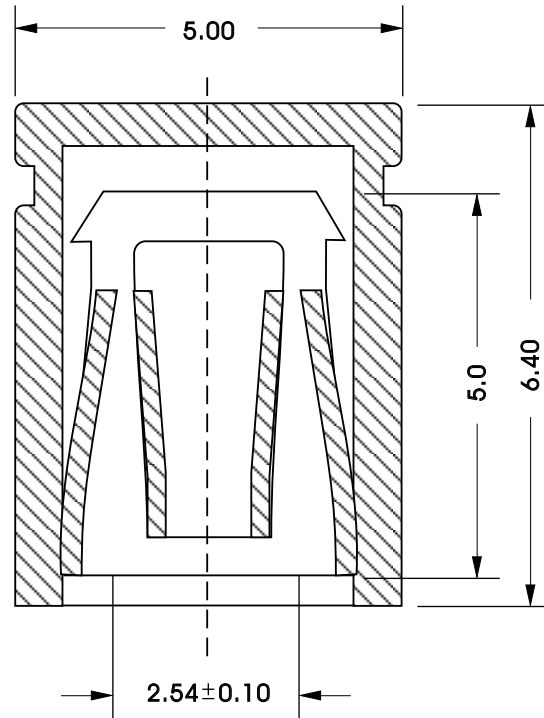
VERSION & EC DESCRIPTION

DATE	VERSION	PAGE	DESCRIPTION
2004/09/07	A	2-3	Add HJM1-021-X-C Plan

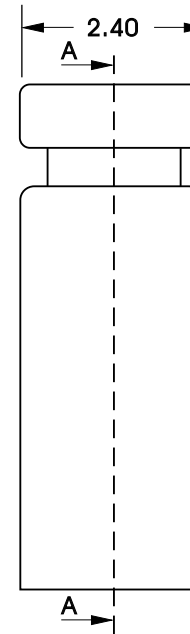
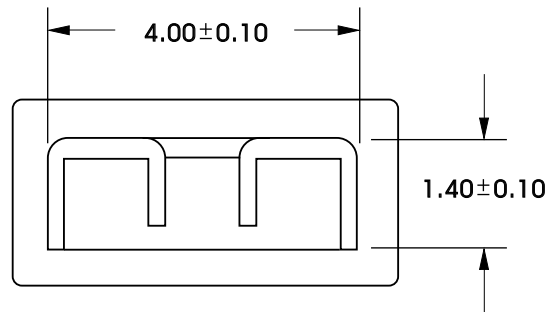
GENAL TOLERANCE	DRAW DATE	2004/09/07	PART NO
X. ± X.XX	DATE	H. D. LI	HJM1-021-X-C
.X ± 0.20	DESIGN	H. D. LI	TITLE
.XX ± 0.10	CHECKED	Y. M. LU	Pitch 2.54mm Mini Jumper Close
.XXX ± X.XX	APPROVED	J. F. KANG	 宏揚精密有限公司 HOJAR PRECISION CO. : LTD.
UNIT :mm			


VERSION

A



SEC A - A



GENERAL TOLERANCE	DRAW DATE	2004/09/07 H. D. LI	PART NO
X. ± X.XX	DESIGN	H. D. LI	HJM1-021-X-C
.X ± 0.20	CHECKED	Y. M. LU	TITLE
.XX ± 0.10	APPROVED	J. F. KANG	Pitch 2.54mm Mini Jumper Close
.XXX ± X.XX			
UNIT :mm			 宏揚精密有限公司 HOJAR PRECISION CO. : LTD.