

## SPECIFICATIONS

Current Rating : 3 Amp  
 Insulator resistance : 1000 Meg ohms Min  
 Contacts resistance : 20 m ohms mix.  
 Dielectric withstanding : 500V AC  
 Operating Temperature : -55° — +85 C°  
 Maximum insertion Force : 200 ~ 80g  
 Minimum Withdrawal Force : 130 ~ 80 g

## MATERIAL


Insulator : P.B.T +30% Glass Fiber UL-94V-O  
 Contact : Brass or Phosphor Bronze  
 Contact Plating : Gold Plated Over Nickel

## ORDER INFORMATION:

HJM1-021-X-O  
 a

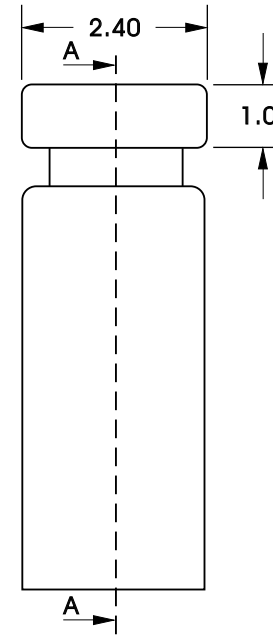
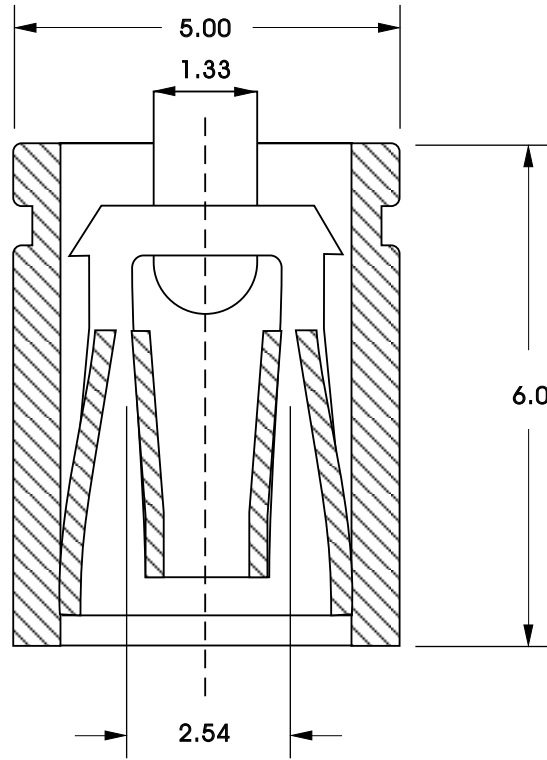
- a. Color  
 1 : Black  
 R : Red  
 Y : Yellow  
 W : White  
 G : Green  
 B : Blue

VERSION & EC DESCRIPTION			
DATE	VERSION	PAGE	DESCRIPTION
2004/09/07	A	4-5	Add HJM1-021-X-O Plan

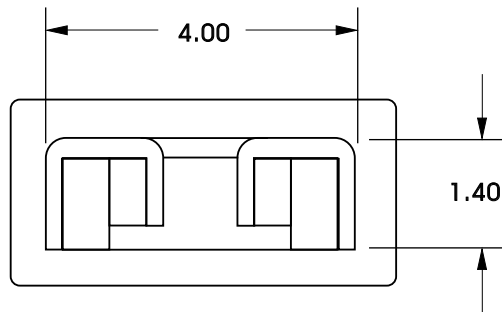
GENERAL TOLERANCE	DRAW DATE	2004/09/07	PART NO
X. ± X.XX	H. D. LI		HJM1-021-X-O
.X ± 0.30	DESIGN	H. D. LI	TITLE
.XX ± 0.20	CHECKED	Y. M. LU	Pitch 2.54mm Mini Jumper Open
.XXX ± X.XX	APPROVED	J. F. KANG	
UNIT :mm			 宏揚精密有限公司 HOJAR PRECISION CO. : LTD.


VERSION

A



SEC A - A



GENERAL TOLERANCE	DRAW DATE	2004/09/07 H. D. LI	PART NO
X. ± X.XX	DESIGN	H. D. LI	HJM1-021-X-O
.X ± 0.30	CHECKED	Y. M. LU	TITLE
.XX ± 0.20	APPROVED	J. F. KANG	Pitch 2.54mm Mini Jumper Open
.XXX ± X.XX			
UNIT :mm			 宏揚精密有限公司 HOJAR PRECISION CO. : LTD.