


VERSION

A

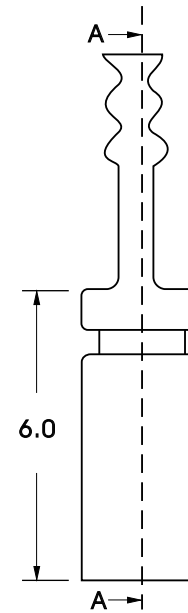
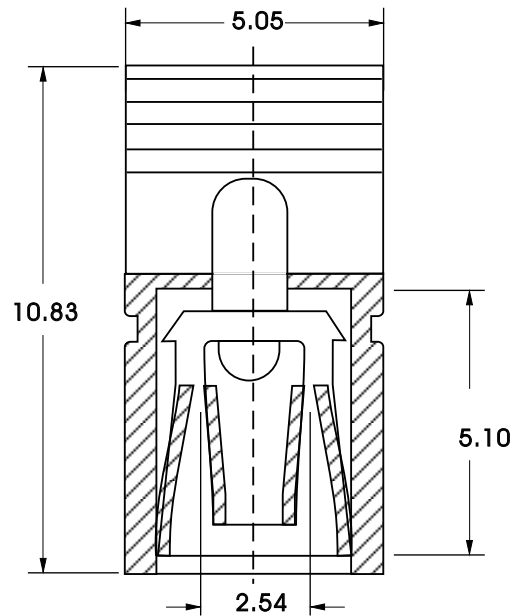
VERSION & EC DESCRIPTION

DATE	VERSION	PAGE	DESCRIPTION
2004/11/11	A	12-13	Add HJM1-024-X-O Plan

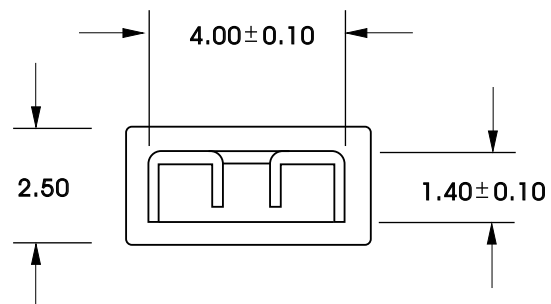
GENERAL TOLERANCE	DRAW DATE	2004/11/11 H. D. LI	PART NO
X. ± X.XX	DESIGN	H. D. LI	HJM1-024-X-O
.X ± 0.20	CHECKED	Y. M. LU	TITLE
.XX ± 0.10	APPROVED	J. F. KANG	Pitch 2.54mm Mini Jumper Open
.XXX ± X.XX	UNIT :mm		 宏揚精密有限公司 HOJAR PRECISION CO. : LTD.


VERSION

A



SEC A - A



GENERAL TOLERANCE	DRAW DATE	2004/11/11 H. D. LI	PART NO
X. \pm X.XX	DESIGN	H. D. LI	HJM1-024-X-O
.X \pm 0.20	CHECKED	Y. M. LU	TITLE
.XX \pm 0.10	APPROVED	J. F. KANG	Pitch 2.54mm Mini Jumper Open
.XXX \pm X.XX	UNIT :mm		
			 宏揚精密有限公司 HOJAR PRECISION CO. : LTD.