

ORDER INFORMATION:

HJM1-025-X-O
a

a. Color

1 : Black

R : Red


Y : Yellow

W: White

G : Green

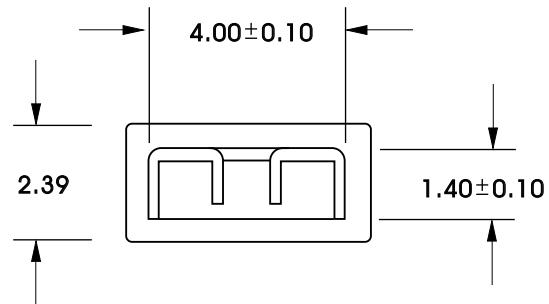
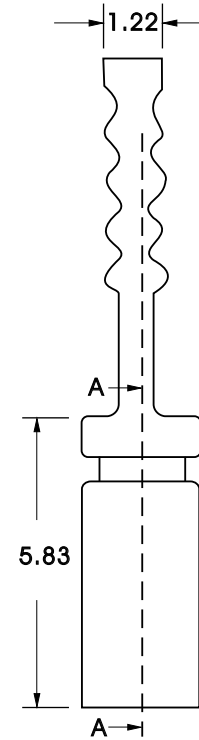
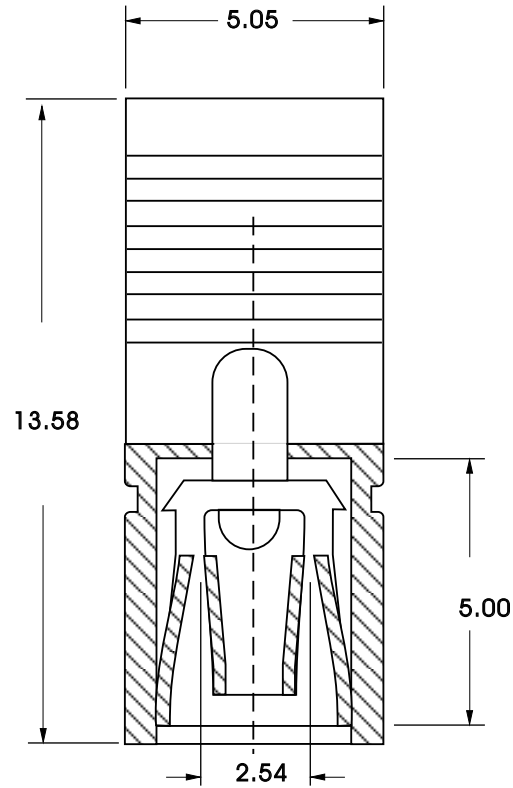
B : Blue


VERSION & EC DESCRIPTION			
DATE	VERSION	PAGE	DESCRIPTION
2004/11/11	A	12-13	Add HJM1-025-X-O Plan

GENERAL TOLERANCE	DRAW DATE	2004/11/11 H. D. LI	PART NO
X. ± X.XX	DESIGN	H. D. LI	HJM1-025-X-O
.X ± 0.20	CHECKED	Y. M. LU	TITLE
.XX ± 0.10	APPROVED	J. F. KANG	Pitch 2.54mm Mini Jumper Open
.XXX ± X.XX	UNIT :mm		 宏揚精密有限公司 HOJAR PRECISION CO. : LTD.

VERSION

A



GENERAL TOLERANCE X. ± X.XX .X ± 0.20 .XX ± 0.10 .XXX ± X.XX	DRAW DATE	2004/11/11 H. D. LI	PART NO	HJM1-025-X-O
	DESIGN	H. D. LI	TITLE	Pitch 2.54mm Mini Jumper Open
	CHECKED	Y. M. LU		
	APPROVED	J. F. KANG		
UNIT :mm				 宏揚精密有限公司 HOJAR PRECISION CO. : LTD.