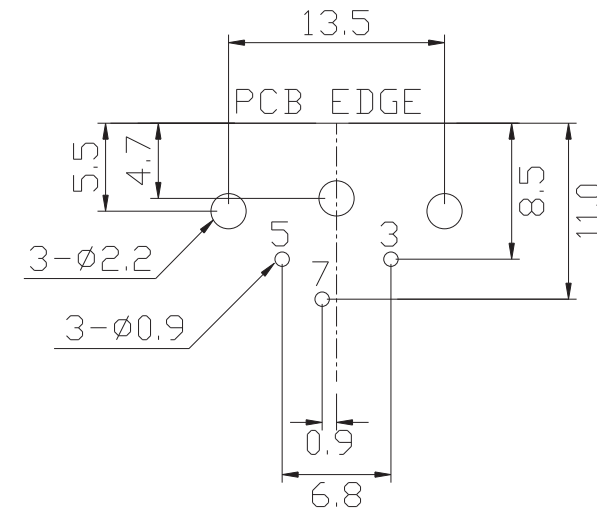
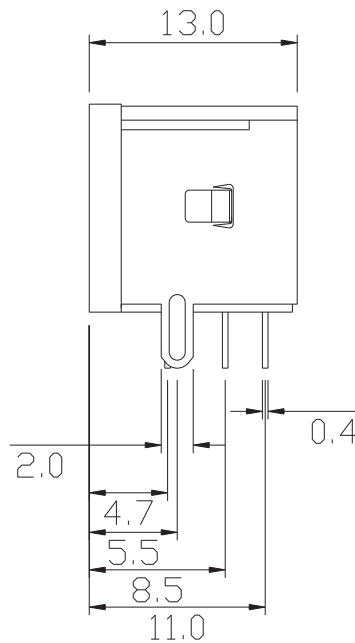
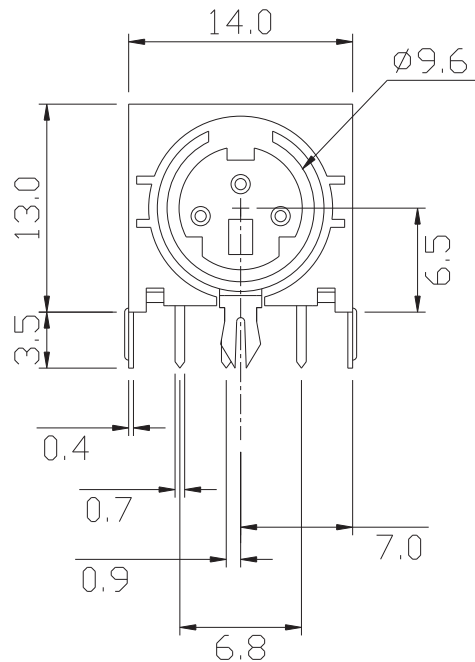
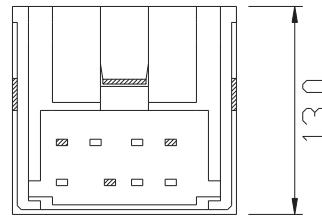
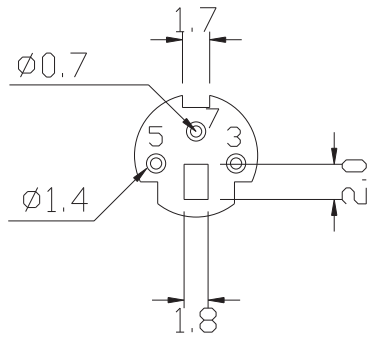


# ORDER INFORMATION:


MD 2 - 4 03 -B P - D  
a b c d e

- a. Shell option:  
4:FOUR WALL SHIELDED  
WITH STRAIGHT TABS
- b. Position:  
03
- c. Color selection:  
B:Black
- d. Insulator material:  
P:PBT
- e. Pack selection:  
D:Disk Pack



PCB LAYOUT  
(BOTTOM VIEW)

NO.	NAME	MATERIAL	FINISH	Q'TY	REMARK
1	HOUSING	PBT G.F.	BLACK	1	
2	CONTACT TERM	PHOS. BRONZE T:0.2	GOLD-TIN PLATED	3	Gold:1~3u"; NI:40~60u"; TIN:120u" (100% pure Tin of lead free plating)
3	GROUND TERM.	BRASS T:0.4	TIN PLATED	1	TIN:120~200u"
4	BOTTOM COVER	PBT G.F.	BLACK	1	
5	SHELL	SPCC. T:0.3	NICKEL PLATED	1	NI:80~120u"

GENERAL TOLERANCE ± 0.30	DATE	H. D. LI	PART NO <b>MD2-403-BP-D</b>
	DESIGN	H. D. LI	
	CHECKED	Y. M. LU	TITLE MINI DIN JACK 3P RIGHT ANGLE WITH FOUR WALL SHIELDED TYPE
UNIT :mm	APPROVED	J. F. KANG	 宏揚精密有限公司 HOJAR PRECISION CO., LTD.