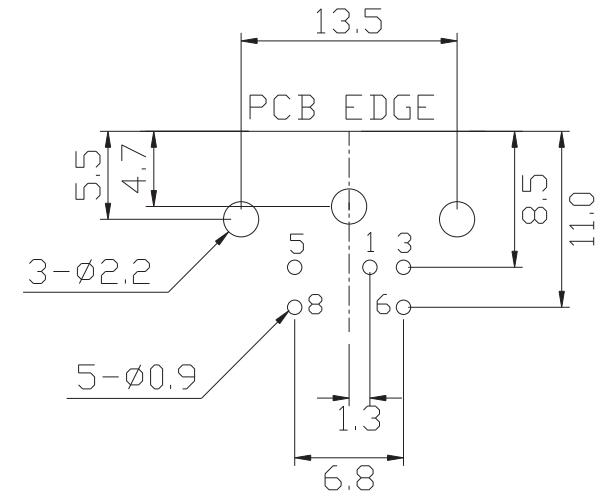
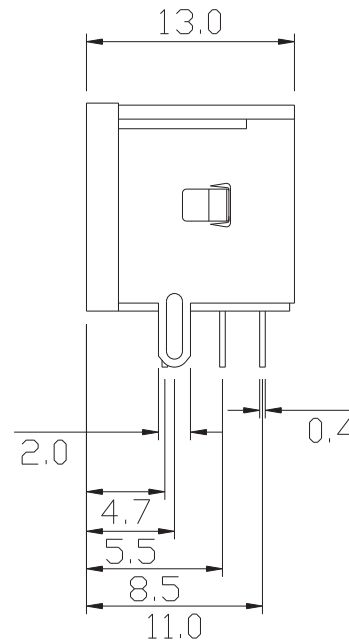
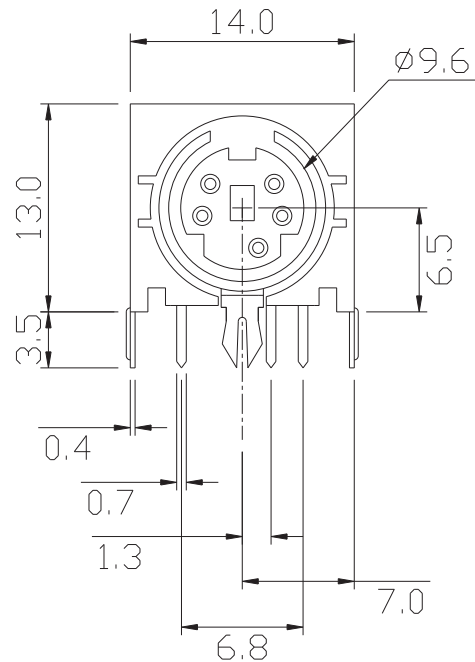
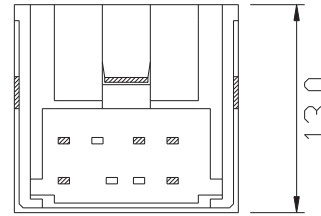
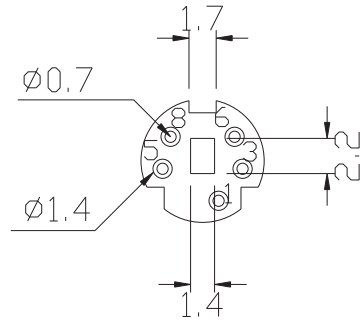


ORDER INFORMATION:


MD 2 - $\frac{4}{a}$ $\frac{05}{b}$ - $\frac{BP}{c}$ - $\frac{D}{d}$

- a. Shell option:
4:FOUR WALL SHIELDED
WITH STRAIGHT TABS
- b. Position:
05
- c. Color selection:
B:Black
- d. Insulator material:
P:PBT
- e. Pack selection:
D:Disk Pack



PCB LAYOUT
(BOTTOM VIEW)

NO.	NAME	MATERIAL	FINISH	Q'TY	REMARK
1	HOUSING	PBT G.F.	BLACK	1	
2	CONTACT TERM	PHOS. BRONZE T:0.2	GOLD-TIN PLATED	5	Gold:1~3 μ ”; NI:40~60 μ ”; TIN:120 μ ” (100% pure Tin of lead free plating)
3	GROUND TERM.	BRASS T:0.4	TIN PLATED	1	TIN:120~200 μ ”
4	BOTTOM COVER	PBT G.F.	BLACK	1	
5	SHELL	SPCC. T:0.3	NICKEL PLATED	1	NI:80~120 μ ”

GENERAL TOLERANCE ± 0.30	DATE	H. D. LI	PART NO MD2-405-BP-D
	DESIGN	H. D. LI	
	CHECKED	Y. M. LU	TITLE MINI DIN JACK 5P RIGHT ANGLE WITH FOUR WALL SHIELDED TYPE
	APPROVED	J. F. KANG	 宏揚精密有限公司 HOJAR PRECISION CO., LTD.
UNIT :mm			