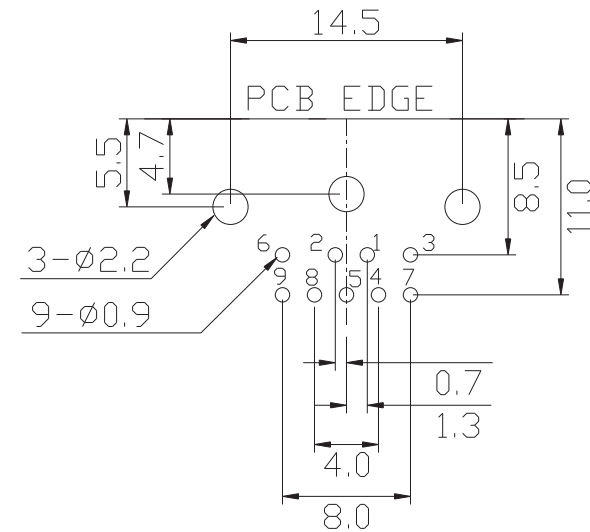
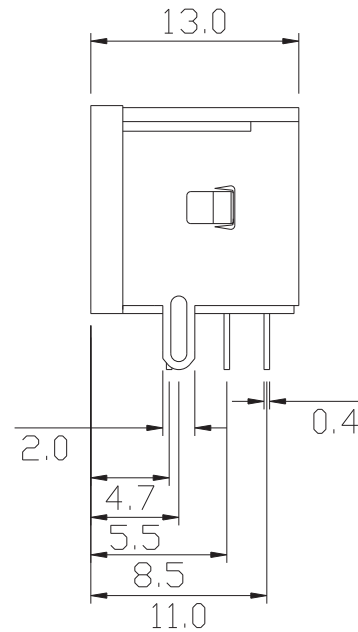
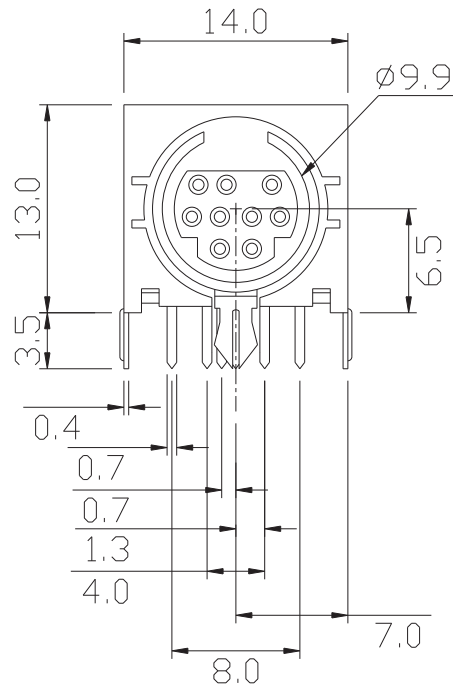
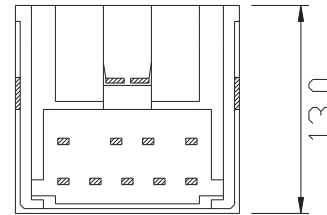
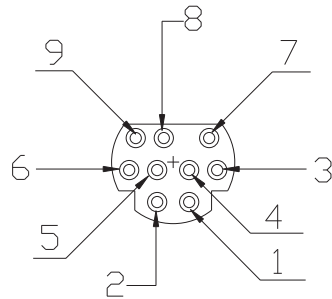


ORDER INFORMATION:

MD 2 - 4 09 - B P - D
 a b c d e

- a. Shell option:
4:FOUR WALL SHIELDED
WITH STRAIGHT TABS
- b. Position:
09
- c. Color selection:
B:Black
- d. Insulator material:
P:PBT
- e. Pack selection:
D:Disk Pack



PCB LAYOUT
(BOTTOM VIEW)

NO.	NAME	MATERIAL	FINISH	Q'TY	REMARK
1	HOUSING	PBT G.F.	BLACK	1	
2	CONTACT TERM.	PHOS. BRONZE T:0.2	GOLD-TIN PLATED	9	Gold:1~3u"; NI:40~60u"; TIN:120u" (100% pure Tin of lead free plating)
3	GROUND TERM.	BRASS T:0.4	TIN PLATED	1	TIN:120~200u"
4	BOTTOM COVER	PBT G.F.	BLACK	1	
5	SHELL	SPCC. T:0.3	NICKEL PLATED	1	NI:80~120u"

GENERAL TOLERANCE ± 0.30	DATE H. D. LI	PART NO. MD2-409-BP-D
	DESIGN H. D. LI	TITLE MINI DIN JACK 9P RIGHT ANGLE WITH FOUR WALL SHIELDED TYPE
	CHECKED Y. M. LU	
	APPROVED J. F. KANG	
UNIT :mm		宏揚精密有限公司 HOJAR PRECISION CO., LTD.