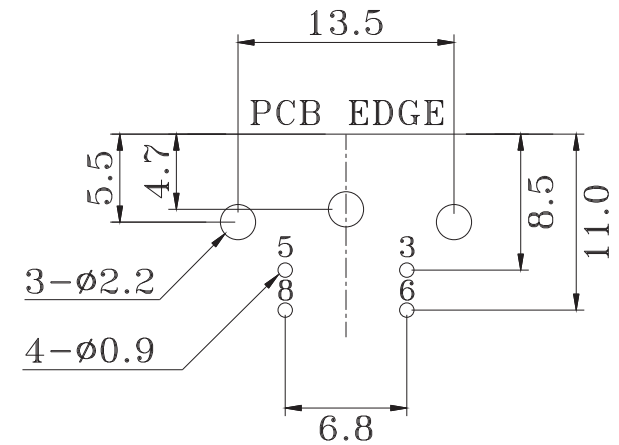


ORDER INFORMATION:


MD 2- $\frac{4}{a}$ $\frac{04}{b}$ A - $\frac{B}{c}$ P - $\frac{D}{e}$

- a. Shell option:
4:FOUR WALL SHIELDED
WITH STRAIGHT TABS
- b. Position:
04
- c. Color selection:
B:Black
- d. Insulator material:
P:PBT
- e. Pack selection:
D:Disk Pack



PCB LAYOUT
(BOTTOM VIEW)

NO.	NAME	MATERIAL	FINISH	Q'TY
1	HOUSING	PBT G.F.	BLACK	1
2	CONTACT	BRASS	TIN PLATED	4
3	GROUND	BRASS	TIN PLATED	1
4	BACK COVER	PBT G.F.	BLACK	1
5	SHIELD	SPCC	NICKEL PLATED	1

GENERAL TOLERANCE ± 0.30	DATE	H. D. LI	PART NO MD2-404A-BP-D
	DESIGN	H. D. LI	
	CHECKED	Y. M. LU	TITLE MINI DIN JACK 4P RIGHT ANGLE WITH FOUR WALL SHIELDED TYPE
	APPROVED	J. F. KANG	 宏揚精密有限公司 HOJAR PRECISION CO., LTD.
UNIT :mm			