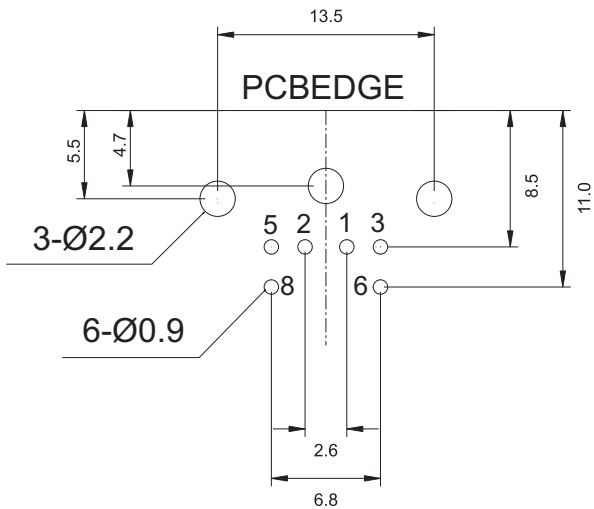
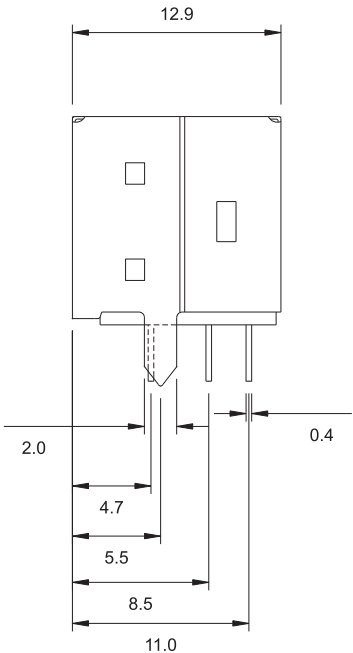
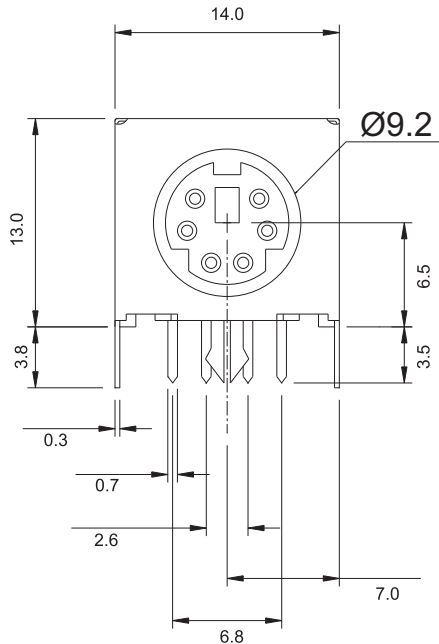
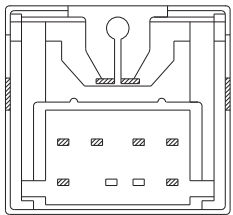
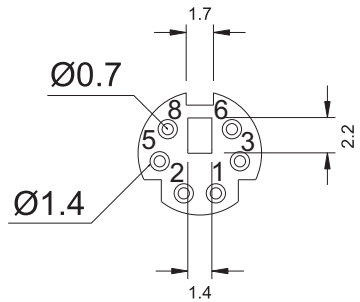


ORDER INFORMATION:

DHMINID066 - 5 06 - X P - D
 a b c d e

- a. Shell option:
5:FULLY SHIELDED WITH STRAIGHT TABS
- b. Position:
06
- c. Color selection:
B:Black
G:Green;3395C
P:Purple;2715C
- d. Insulator material:
P:PBT
- e. Pack selection:
D:Disk Pack



PCBLAYOUT
(BOTTOMVIEW)

NO.	NAME	MATERIAL	FINISH	Q'TY	REMARK
1	HOUSING	PBTG.F.	BLACK	1	
2	CONTACT	PHOS.BRONZET:0.2	GOLD-TINPLATED	6	Gold:1~3u";NI:40~60u";TIN:120u" (100 pureTinofleadfreeplating)
3	SHIELD	BRASST:0.3	TINPLATED	1	TIN:120~200u"
4	BOTTOMCOVER	PBTG.F.	BLACK	1	

GENAL TOLERANCE ± 0.30	DATE H. D. LI	PART NO DHMINID066-506-XP-D
	DESIGN H. D. LI	TITLE MINI DIN JACK 6P RIGHT ANGLE WITH FULLY SHIELDED TYPE
	CHECKED Y. M. LU	
UNIT :mm	APPROVED J. F. KANG	宏揚精密有限公司 HOJAR PRECISION CO., LTD.