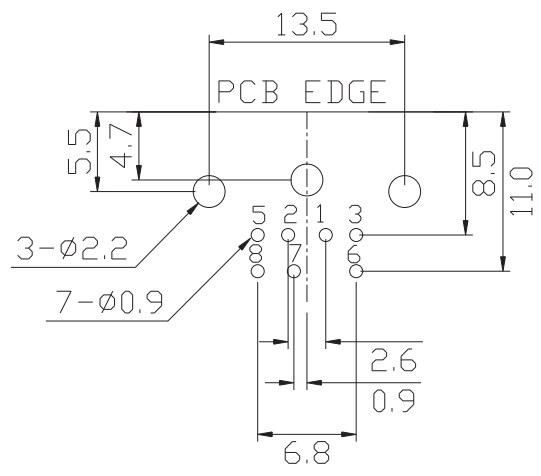
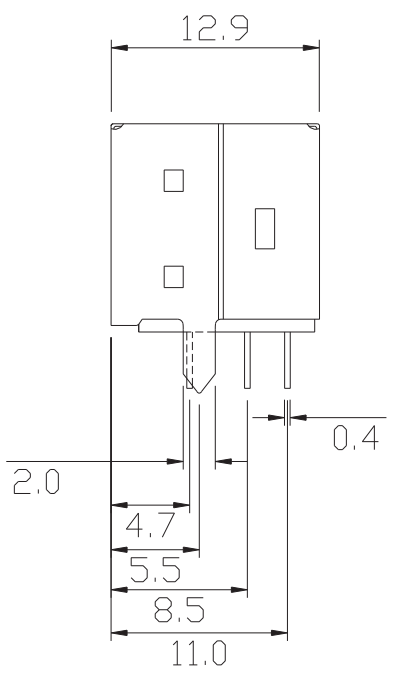
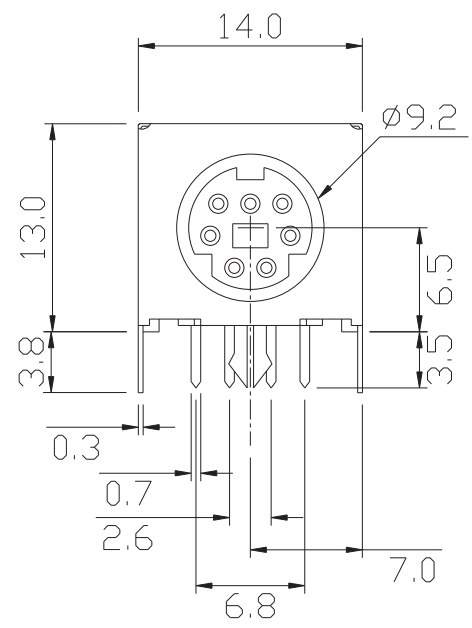
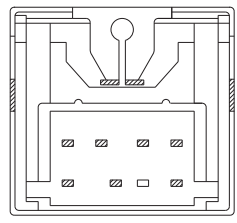
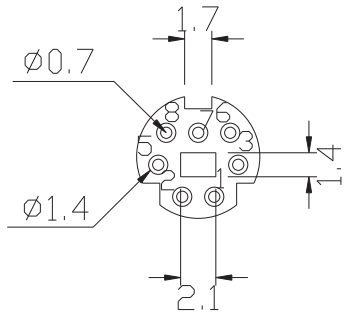


ORDER INFORMATION:

DHMINID066 - 5 07 - B P - D
 a b c d e

- a. Shell option:
5:FULLY SHIELDED WITH STRAIGHT TABS
- b. Position:
07
- c. Color selection:
B:Black
- d. Insulator material:
P:PBT
- e. Pack selection:
D:Disk Pack



PCB LAYOUT
(BOTTOM VIEW)

NO.	NAME	MATERIAL	FINISH	Q'TY	REMARK
1	HOUSING	PBT G.F.	BLACK	1	
2	CONTACT	PHOS. BRONZE T:0.2	GOLD-TIN PLATED	7	Gold:1~3u"; Ni:40~60u"; TIN:120u" (100% pure Tin of lead free plating)
3	SHIELD	BRASS T:0.3	TIN PLATED	1	TIN:120~200u"
4	BOTTOM COVER	PBT G.F.	BLACK	1	

GENERAL TOLERANCE ± 0.30	DATE H. D. LI	PART NO DHMINID066-507-BP-D
	DESIGN H. D. LI	TITLE MINI DIN JACK 7P RIGHT ANGLE WITH FULLY SHIELDED TYPE
	CHECKED Y. M. LU	
	APPROVED J. F. KANG	
UNIT :mm		宏揚精密有限公司 HOJAR PRECISION CO., LTD.