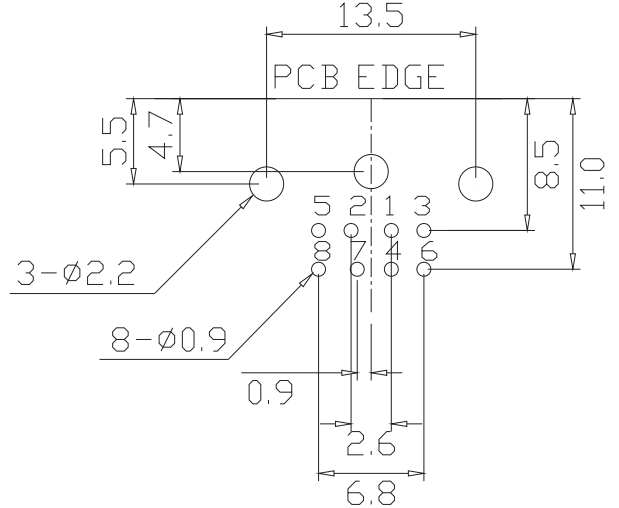
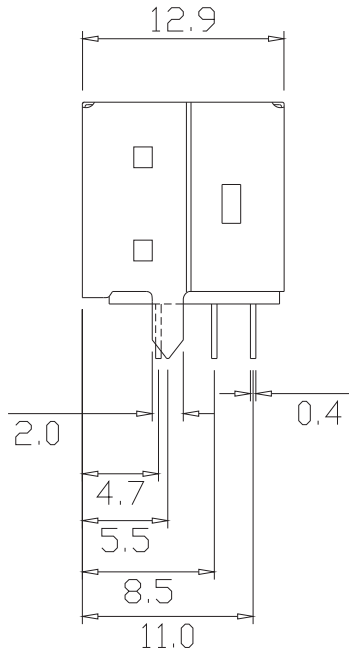
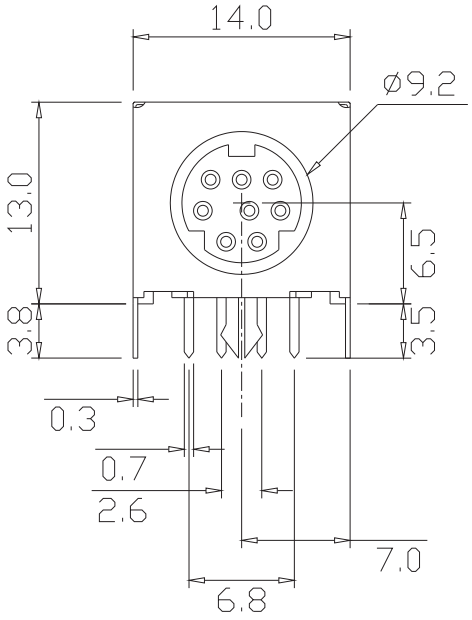
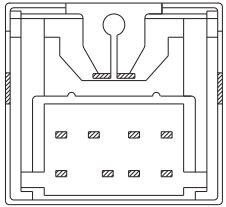
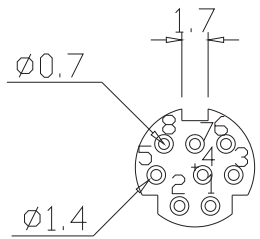


# ORDER INFORMATION:


DHMINID066 - 5 08 - B P - D  
a b c d e

- a. Shell option:  
5:FULLY SHIELDED WITH STRAIGHT TABS
- b. Position:  
08
- c. Color selection:  
B:Black
- d. Insulator material:  
P:PBTP
- e. Pack selection:  
D:Disk Pack



PCB LAYOUT  
(BOTTOM VIEW)

NO.	NAME	MATERIAL	FINISH	Q'TY	REMARK
1	HOUSING	PBT G.F.	BLACK	1	
2	CONTACT	PHOS. BRONZE T:0.2	GOLD-TIN PLATED	8	Gold:1~3u"; Ni:40~60u"; TIN:120u" (100% pure Tin of lead free plating)
3	SHIELD	BRASS T:0.3	TIN PLATED	1	TIN:120~200u"
4	BOTTOM COVER	PBT G.F.	BLACK	1	

GENERAL TOLERANCE  ± 0.30	DATE H. D. LI	PART NO <b>DHMINID066-508-BP-D</b>
	DESIGN H. D. LI	TITLE MINI DIN JACK 8P RIGHT ANGLE WITH FULLY SHIELDED TYPE
	CHECKED Y. M. LU	 宏揚精密有限公司 HOJAR PRECISION CO., LTD.
UNIT :mm	APPROVED J. F. KANG	