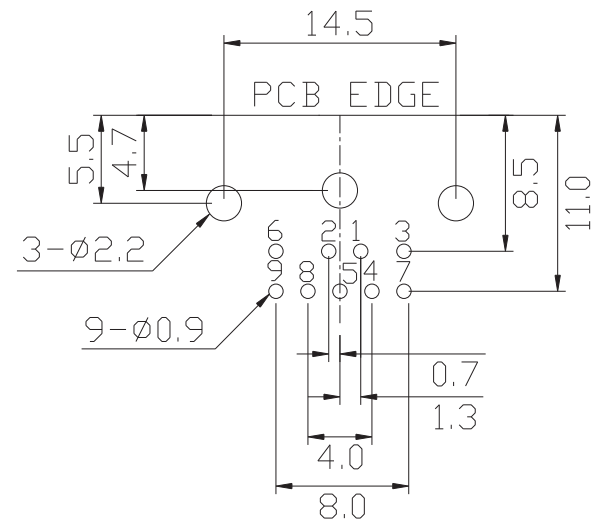
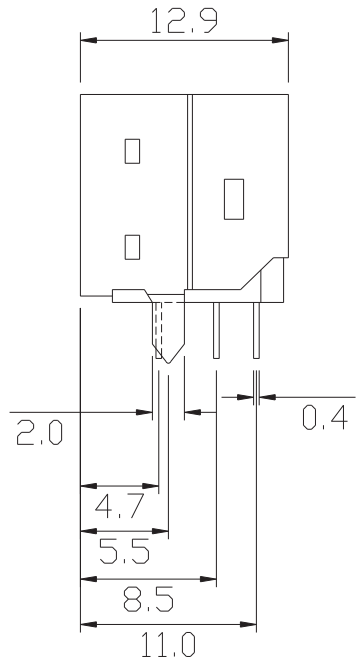
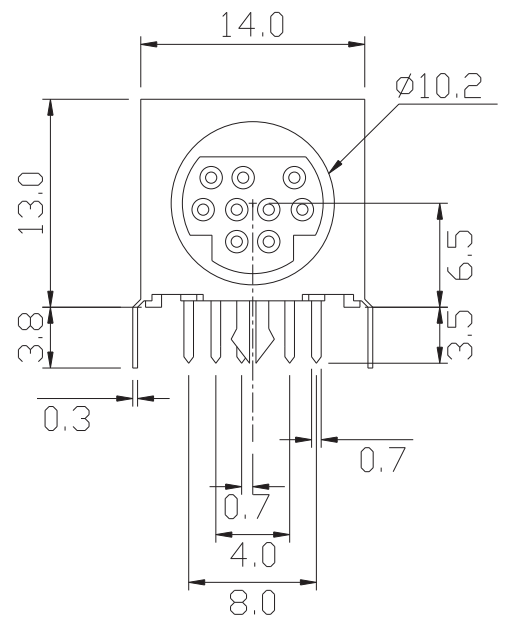
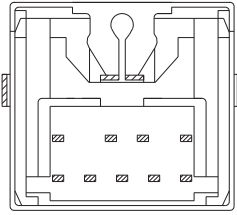
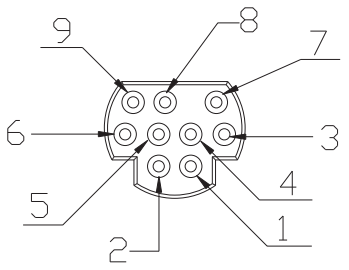


# ORDER INFORMATION:


DHMINID066 -  $\frac{5}{a} \frac{09}{b}$  -  $\frac{BP}{c} \frac{D}{d e}$

- a. Shell option:  
5:FULLY SHIELDED WITH STRAIGHT TABS
- b. Position:  
09
- c. Color selection:  
B:Black
- d. Insulator material:  
P:PBT
- e. Pack selection:  
D:Disk Pack



PCB LAYOUT  
(BOTTOM VIEW)

NO.	NAME	MATERIAL	FINISH	Q'TY	REMARK
1	HOUSING	PBT G.F.	BLACK	1	
2	CONTACT	PHOS. BRONZE T:0.2	GOLD-TIN PLATED	9	Gold:1~3u"; NI:40~60u"; TIN:120u" (100% pure Tin of lead free plating)
3	SHIELD	BRASS T:0.3	TIN PLATED	1	TIN:120~200u"
4	BOTTOM COVER	PBT G.F.	BLACK	1	

GENERAL TOLERANCE  ± 0.30	DATE	H. D. LI	PART NO	DHMINID066-509-BP-D
	DESIGN	H. D. LI	TITLE	MINI DIN JACK 9P RIGHT ANGLE WITH FULLY SHIELDED TYPE
	CHECKED	Y. M. LU	 宏揚精密有限公司 HOJAR PRECISION CO., LTD.	
	APPROVED	J. F. KANG		
UNIT :mm				