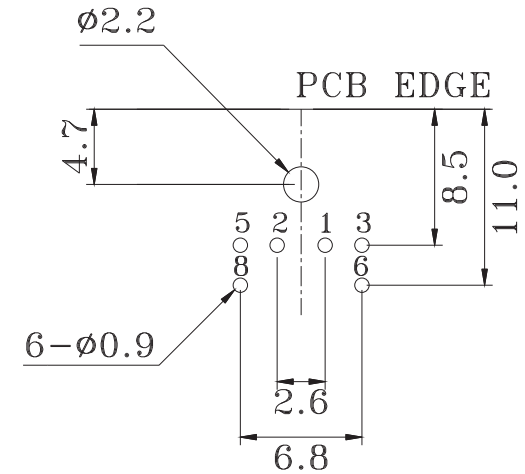
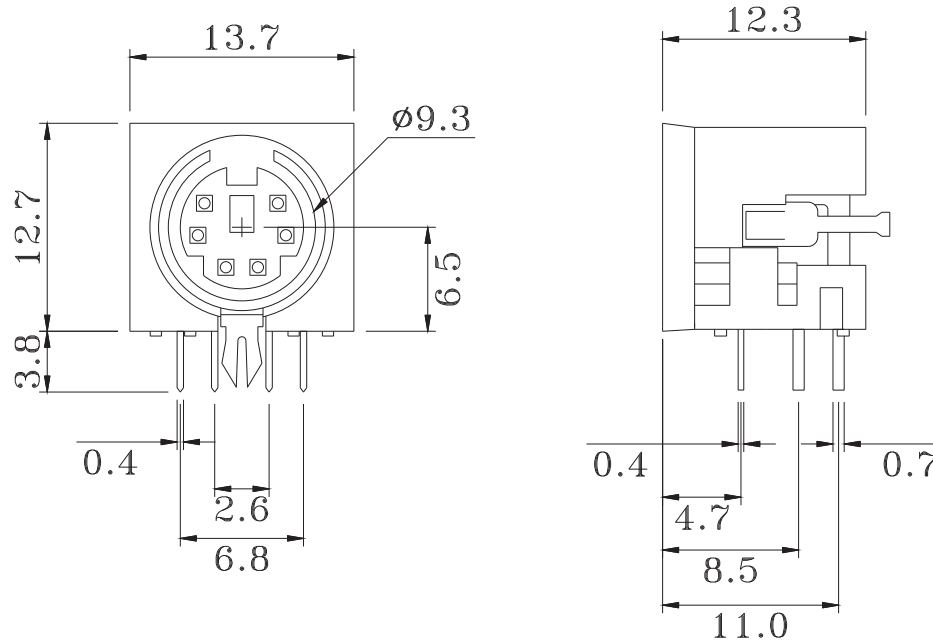
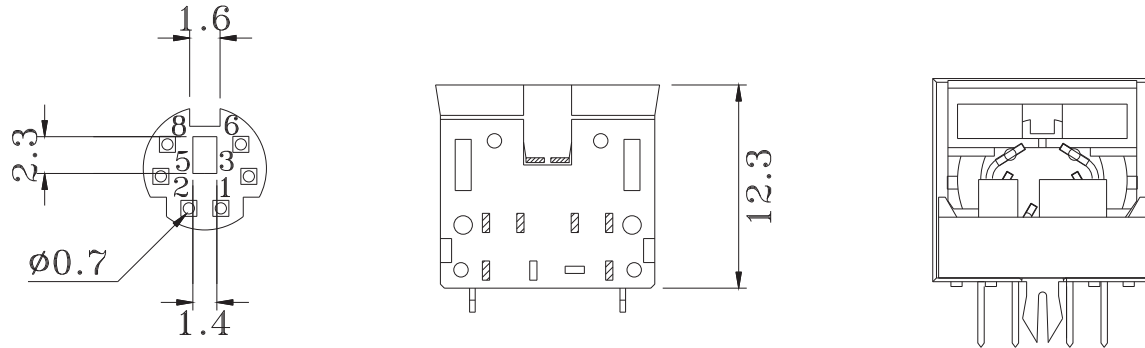


# ORDER INFORMATION:

MD 2-  $\frac{0}{a}$   $\frac{06}{b}$  A -  $\frac{B}{c}$  P -  $\frac{D}{e}$

- a. Shell option:  
0: W/O SHIELDED
- b. Position:  
06
- c. Color selection:  
B:Black
- d. Insulator material:  
P:PBT
- e. Pack selection:  
D:Disk Pack



PCB LAYOUT (BOTTOM VIEW)

NO.	NAME	MATERIAL	FINISH	Q'TY
1	HOUSING	PBT G.F.	BLACK	1
2	CONTACT	BRASS T:0.4	TIN PLATED	6
3	GROUND	BRASS T:0.4	TIN PLATED	1
4	BACK COVER	PBT G.F.	BLACK	1

GENERAL TOLERANCE	DATE	PART NO.
$\pm 0.30$	H. D. LI	MD2-006A-BP-D
	DESIGN	H. D. LI
	CHECKED	Y. M. LU
	APPROVED	J. F. KANG
UNIT :mm		

TITLE MINI DIN JACK 6P RIGHT ANGLE WITHOUT SHIELDED TYPE

宏揚精密有限公司  
HOJAR PRECISION CO., LTD.