


ORDER INFORMATION:

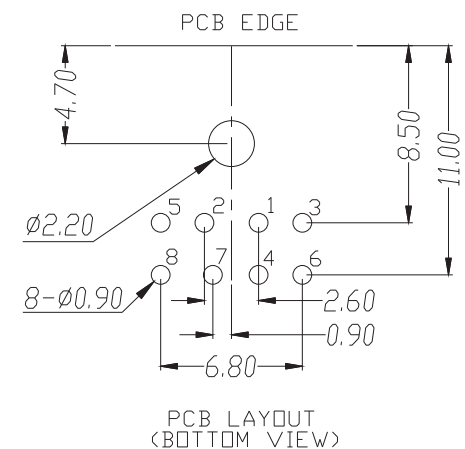
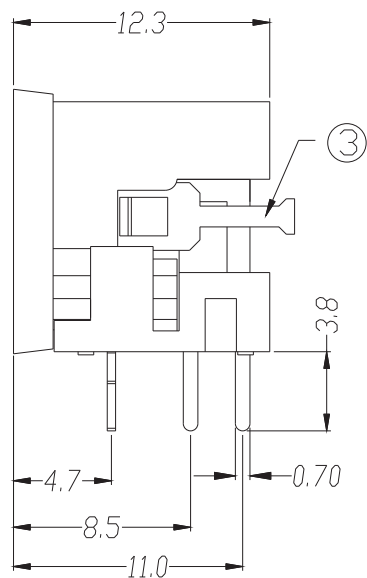
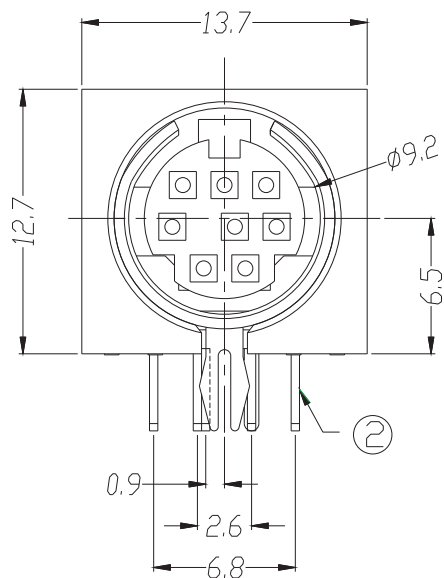
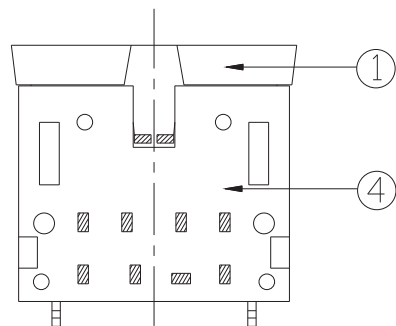
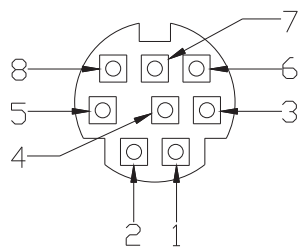
MD 2- $\frac{0}{a} \frac{08}{b} A - \frac{B}{c} \frac{P}{d} - \frac{D}{e}$

Specification:

Contact Resistance: 30m ohm Max.
 Insulation Resistance: 100M ohm Min. AT 500V DC
 Rated Voltage And Current: DC12V.2A Max; AC 100V.1A Max
 Dielectric Withstanding Voltage: 250V AC For 1 Minute
 Durability(Life Test): 100 Cycles
 Insertion Force: 4.0KG Maximum.
 Extraction Force: 0.9KG Minimum.

- a. Shell option:
0: W/O SHIELDED
- b. Position:
08
- c. Color selection:
B:Black
- d. Insulator material:
P:PBT
- e. Pack selection:
D:Disk Pack

GENAL TOLERANCE	DATE	H. D. LI	PART NO
	DESIGN	H. D. LI	MD2-008A-BP-D
± 0.30	CHECKED	Y. M. LU	TITLE MINI DIN JACK 8P RIGHT ANGLE WITHOUT SHIELDED TYPE
	APPROVED	J. F. KANG	 宏揚精密有限公司 HOJAR PRECISION CO., LTD.
UNIT :mm			



NO.	NAME	MATERIAL	FINISH	Q'TY
1	HOUSING	P.B.T. G.F.	BLACK	1
2	CONTACT	BRASS 0.4mm	TIN PLATED	8
3	GROUND	BRASS 0.4mm	TIN PLATED	1
4	BOTTOM COVER	P.B.T. G.F.	BLACK	1

GENAL TOLERANCE ± 0.30	DATE H. D. LI	PART NO MD2-008A-BP-D
	DESIGN H. D. LI	TITLE MINI DIN JACK 8P RIGHT ANGLE WITHOUT SHIELDED TYPE
	CHECKED Y. M. LU	
	APPROVED J. F. KANG	
UNIT :mm		宏揚精密有限公司 HOJAR PRECISION CO., LTD.