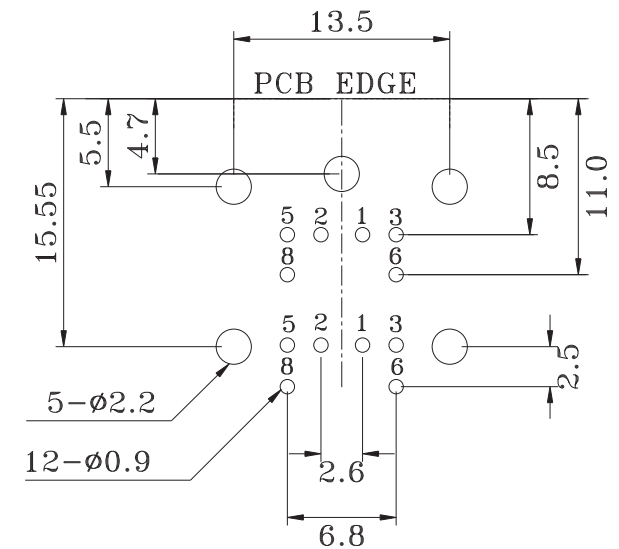


ORDER INFORMATION:

DMD2- 66 - XP - D
 a b c d

- a. Pos NO:
66:6P x 6P
- b. Housing color:
1:Black
2:TOP--GREEN,3995C
BOTTOM--PURPLE,2715C
- c. Insulator material:
P:PBT
- d. Pack selection:
D:Disk Pack



PCB LAYOUT
(BOTTOM VIEW)

NO.	NAME	MATERIAL	FINISH	REMARK	Q'TY
1	TOP HOUSING	P.B.T.	BLACK		1
2	BOTTOM HOUSING	P.B.T.	BLACK		1
3	BACK COVER	P.B.T.	BLACK		1
4	CONTACT TERM.	PHOS. BRONZE	GOLD/TIN PLATED	Gold:1~3μ"; Ni:40~60μ" ; TIN:120μ" (100% pure Tin of lead free plating)	12
5	FRONT SHIELD	BRASS	TIN PLATED	TIN:3~5u	1
6	BACK SHIELD	BRASS	TIN PLATED	TIN:3~5u	1

GENAL TOLERANCE ± 0.30	DATE H. D. LI	PART NO DMD2-66-XP-D
	DESIGN H. D. LI	TITLE SHIELDED DUBLE MINI DIN
	CHECKED Y. M. LU	
	APPROVED J. F. KANG	
UNIT :mm		宏揚精密有限公司 HOJAR PRECISION CO., LTD.