

ORDER INFORMATION:

EAR12 - 021V $\frac{X}{a}$ - $\frac{X}{b}$ - $\frac{A/B/C}{c}$ - $\frac{X}{d}$

a. SCHEMATIC:

A

b. Post selection:

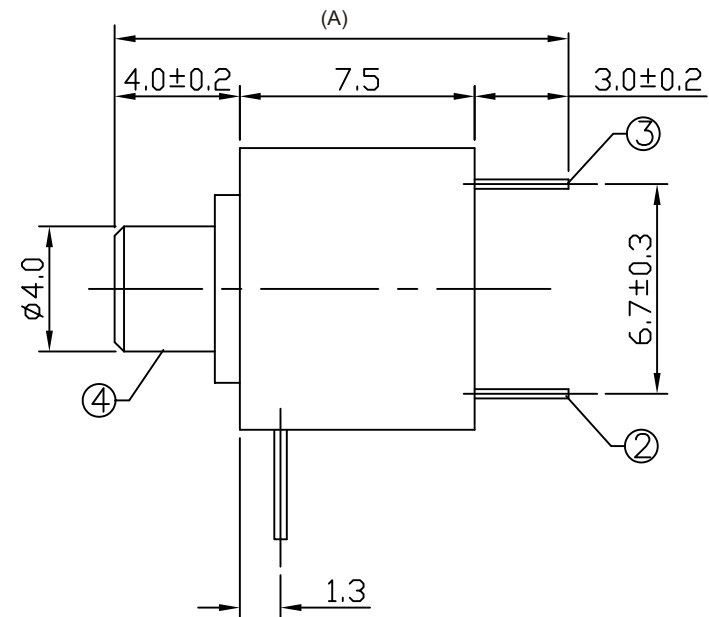
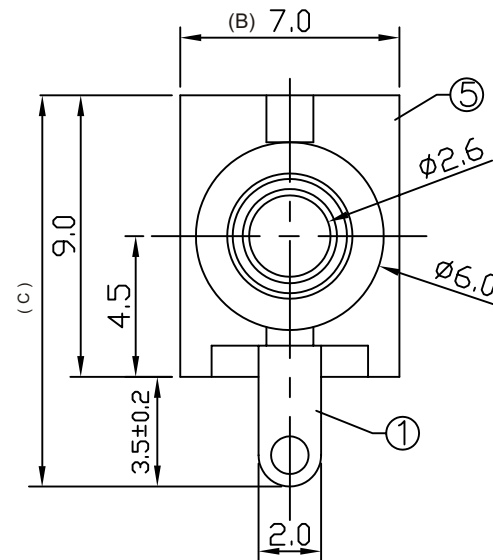
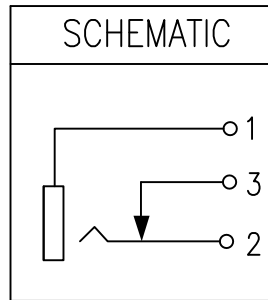
0: without post

c. Length/Width/Height:


A/B/C (A=14.5, B=7.0, C=12.5) (standard)

d. Pack selection:

D:Disk Pack



5	HOUSING	1	PBT	
4	AXIS SUPPORT	1	C2680	MB:Cu Ni PLATED
3	CURVE PIECE	1	C2680	MB:Cu Ag PLATED
2	SPRING PIECE	1	C5191	MB:Cu Ag PLATED
1	FLAT PIECE	1	C2680	MB:Cu Ag PLATED
LTR	PART NAME	QTY	MATERIAL	REMARK

GENAL TOLERANCE ± 0.3	DRAW M. C. WANG	PART NO EAR12-021VX-X-A/B/C-X
	DESIGN H. D. LI	TITLE 2.5MM MINIATURE JACK (DIP)
	CHECKED Y. M. LU	 宏揚精密有限公司 HOJAR PRECISION CO., LTD.
UNIT :mm	APPROVED J. F. KANG	