

ORDER INFORMATION:

EAR12 - 032X - X - A/B/C - X
 $\frac{a}{b} \frac{c}{d}$

a. SCHEMATIC:

A

b. Post selection:

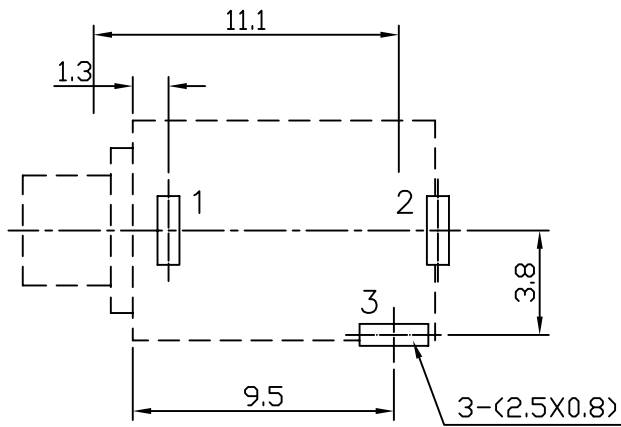
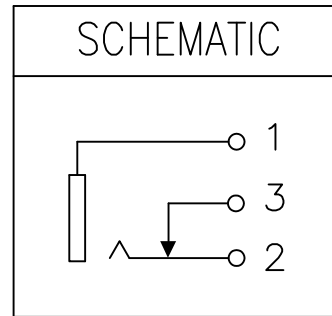
0: without post

c. Length/Width/Height:

A/B/C (A=15.0,B=8.0,C=13.0) (standard)

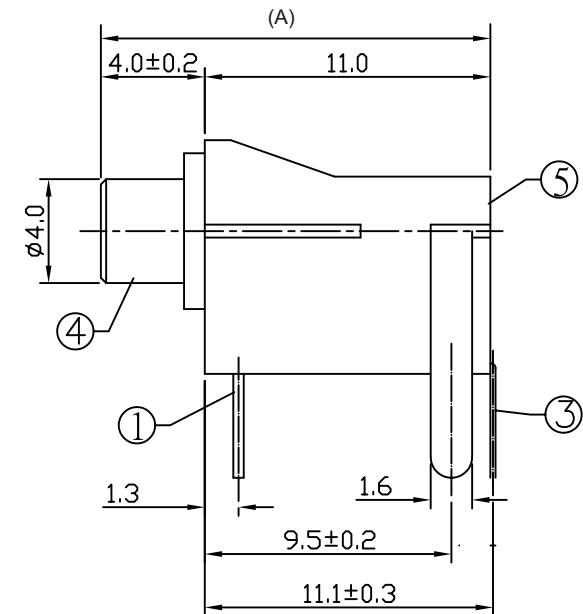
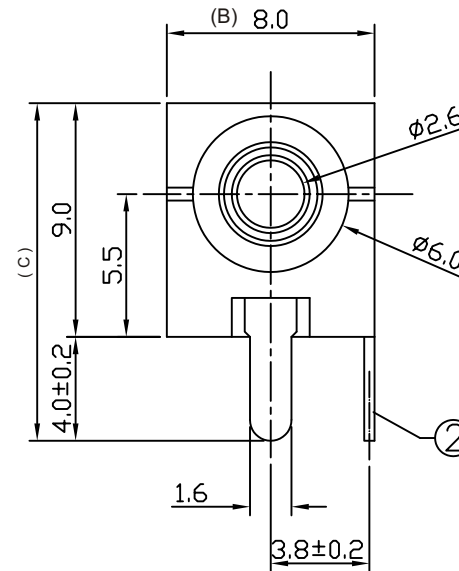
d. Pack selection:

D:Disk Pack



T:1.6 Dimensions of PC board holes

Tolerance : ± 0.1 (Printed-top view)



5	HOUSING	1	PA46	
4	AXIS SUPPORT	1	C2680	MB:Cu Ni PLATED
3	SPRING PIECE	1	ALDARY	MB:Cu Cu/Sn PLATED
2	CURVE PIECE	1	C2680	MB:Cu Cu/Sn PLATED
1	FIAT PIECE	1	C2680	MB:Cu Cu/Sn PLATED
LTR	PART NAME	QTY	MATERIAL	REMARK

GENAL TOLERANCE ± 0.3	DRAW	M. C. WANG	PART NO	EAR12-032X-X-A/B/C-X
	DESIGN	H. D. LI	TITLE	2.5MM MINIATUREJACK (DIP)
	CHECKED	Y. M. LU		
	APPROVED	J. F. KANG		
UNIT :mm			宏揚精密有限公司 HOJAR PRECISION CO., LTD.	