

ORDER INFORMATION:

EAR12 - 033 $\frac{X}{a}$ - $\frac{X}{b}$ - $\frac{A/B/C}{c}$ - $\frac{X}{d}$

a. SCHEMATIC:

A

b. Post selection:

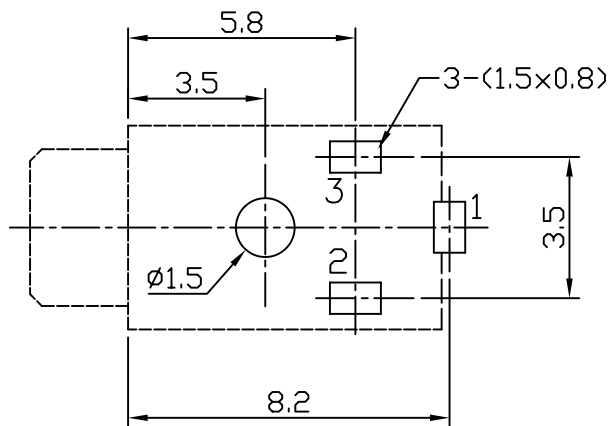
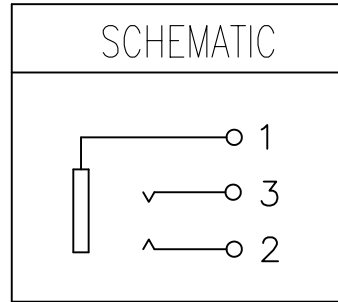
1: with post

c. Length/Width/Height:

A/B/C (A=10.8,B=5.0,C=7.5) (standard)

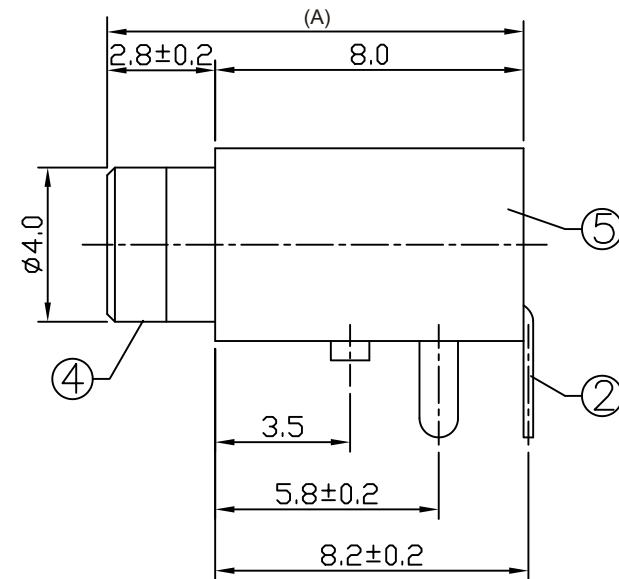
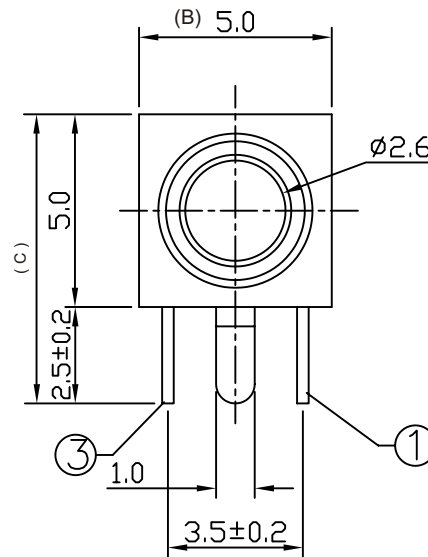
d. Pack selection:

D:Disk Pack



T:1.6 Dimensions of PC board holes

Tolerance : ± 0.1 (Printed-top view)



5	HOUSING	1	PA66	
4	AXIS SUPPORT	1	BRASS	MB:Cu Ni PLATED
3	3# CONTACT FOOT	1	PHOSPHOR BRONZE	MB:Cu Ag PLATED
2	2# CONTACT FOOT	1	PHOSPHOR BRONZE	MB:Cu Ag PLATED
1	1# CONTACT FOOT	1	PHOSPHOR BRONZE	MB:Cu Ag PLATED
LTR	PART NAME	QTY	MATERIAL	REMARK

GENERAL TOLERANCE ± 0.3	DRAW M. C. WANG	PART NO EAR12-033X-X-A/B/C-X
	DESIGN H. D. LI	TITLE 2.5MM MINIATUREJACK (DIP)
	CHECKED Y. M. LU	
UNIT :mm	APPROVED J. F. KANG	宏揚精密有限公司 HOJAR PRECISION CO., LTD.