

ORDER INFORMATION:

EAR12 - 034X - X - A/B/C - X
 $\frac{a}{b} \frac{c}{d}$

a. SCHEMATIC:

A

b. Post selection:

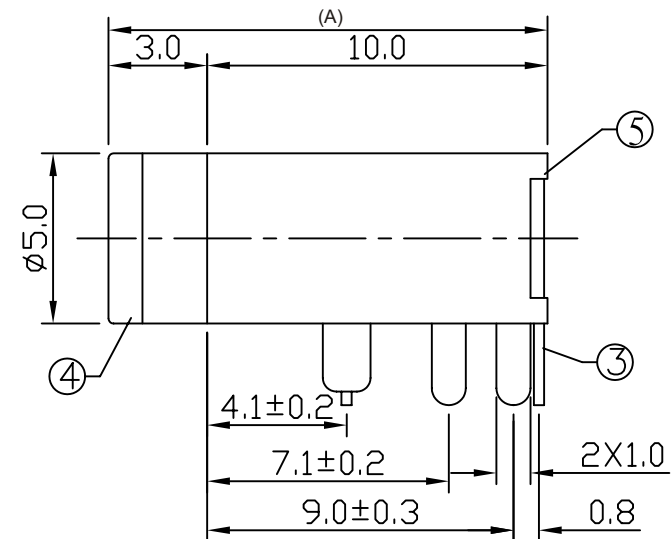
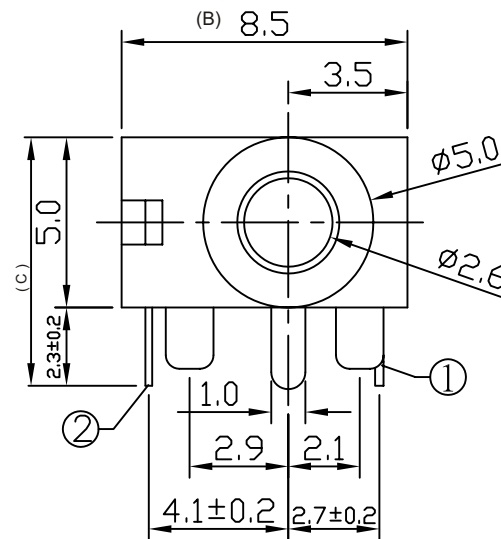
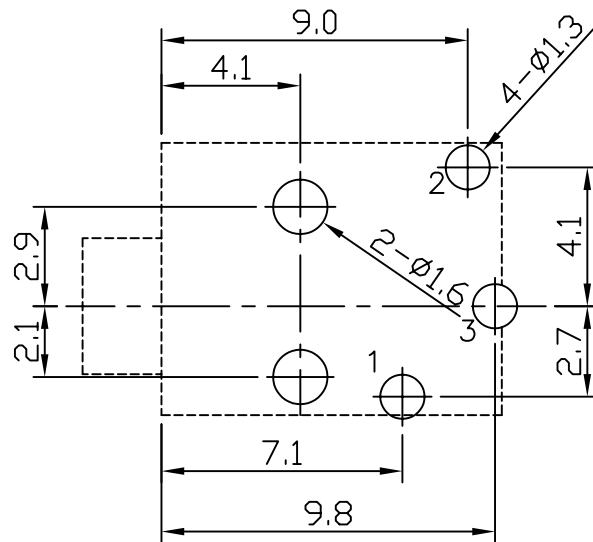
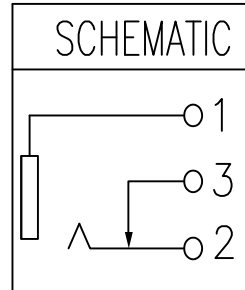
1: with post

c. Length/Width/Height:

A/B/C (A=13.0,B=8.5,C=7.3) (standard)

d. Pack selection:

D:Disk Pack



T:1.6 Dimensions of PC board holes

Tolerance : ±0.1(Printed-top view)

5	HOUSING	1	PBT	
4	AXIS SUPPORT	1	BRASS	MB:Cu Ni PLATED
3	CURVE PIECE	1	BRASS	MB:Cu Ag PLATED
2	SPRING PIECE	1	PHOSPHOR BRONZE	MB:Cu Ag PLATED
1	SPRING PIECE	1	PHOSPHOR BRONZE	MB:Cu Ag PLATED
LTR	PART NAME	QTY	MATERIAL	REMARK

GENAL TOLERANCE ± 0.3	DRAW M. C. WANG	PART NO EAR12-034X-X-A/B/C-X
	DESIGN H. D. LI	TITLE 2.5MM MINIATUREJACK (DIP)
	CHECKED Y. M. LU	
	APPROVED J. F. KANG	
UNIT :mm		宏揚精密有限公司 HOJAR PRECISION CO., LTD.