

# ORDER INFORMATION:

EAR12 - 035X - X - A/B/C - X  
 $\frac{a}{b} \frac{c}{d}$

a. SCHEMATIC:

A

b. Post selection:

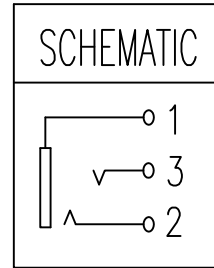
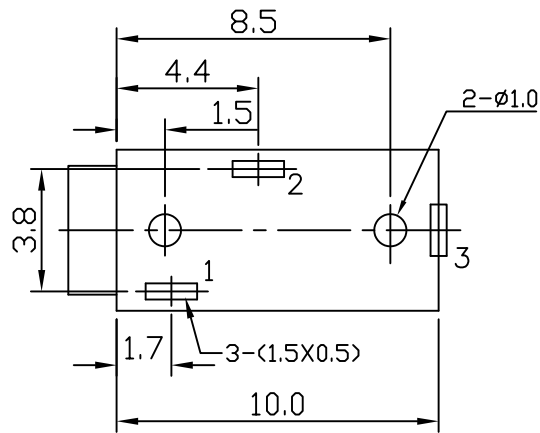
1: with post

c. Length/Width/Height:

A/B/C (A=11.5, B=5.0, C=6.5) (standard)

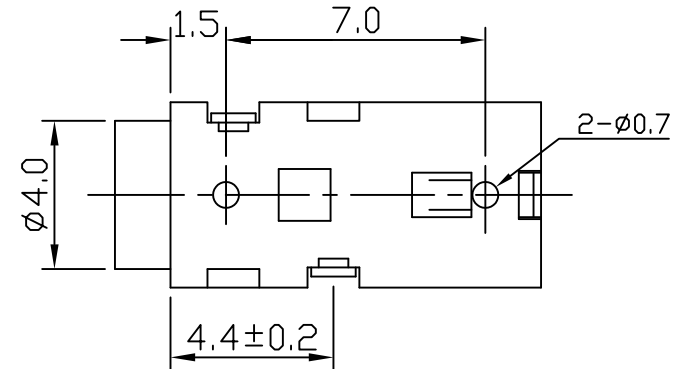
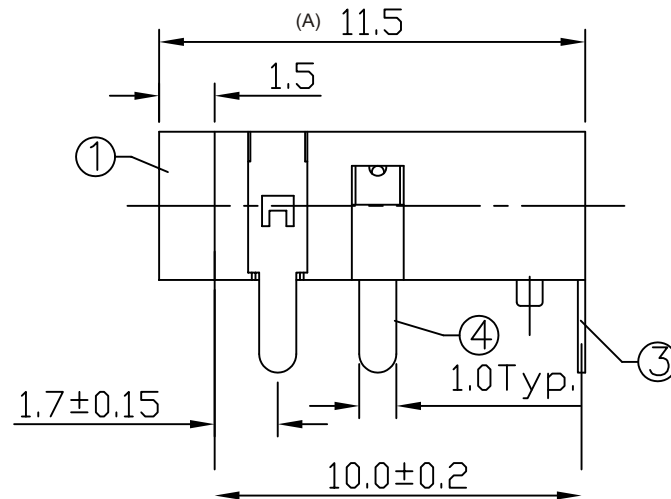
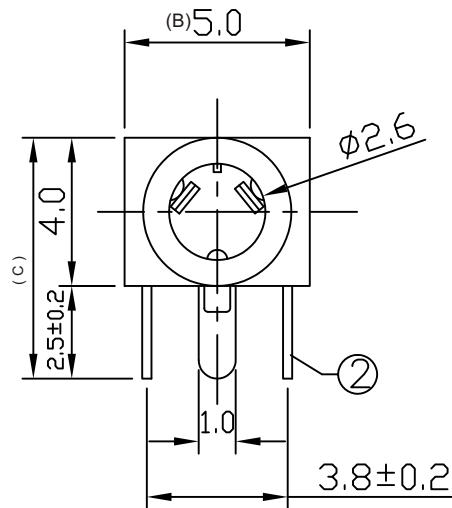
d. Pack selection:

D:Disk Pack




T:1.6 Dimensions of PC board holes

Tolerance :  $\pm 0.1$ (Printed-top view)



4	SPRING PIECE	1	PHOSPHOR BRONZE	MB:Cu Ag PLATED
3	SPRING PIECE	1	PHOSPHOR BRONZE	MB:Cu Ag PLATED
2	SPRING PIECE	1	PHOSPHOR BRONZE	MB:Cu Ag PLATED
1	HOUSING	1	PA66	
LTR	PART NAME	QTY	MATERIAL	REMARK

GENAL TOLERANCE $\pm 0.3$	DRAW M. C. WANG	PART NO EAR12-035X-X-A/B/C-X
	DESIGN H. D. LI	TITLE 2.5MM MINIATURE JACK (DIP)
	CHECKED Y. M. LU	
	APPROVED J. F. KANG	
UNIT :mm		 宏揚精密有限公司 HOJAR PRECISION CO., LTD.