

# ORDER INFORMATION:

EAR12 - 036X - X - A/B/C - X  
 $\frac{a}{b} \frac{c}{d}$

a. SCHEMATIC:

A

b. Post selection:

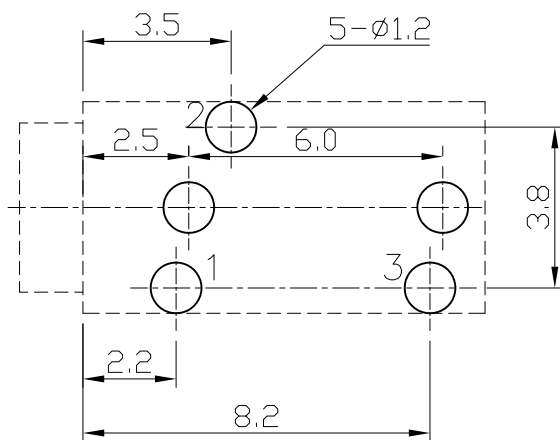
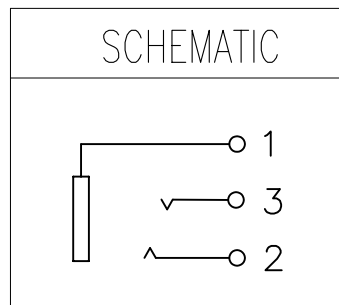
1: with post

c. Length/Width/Height:

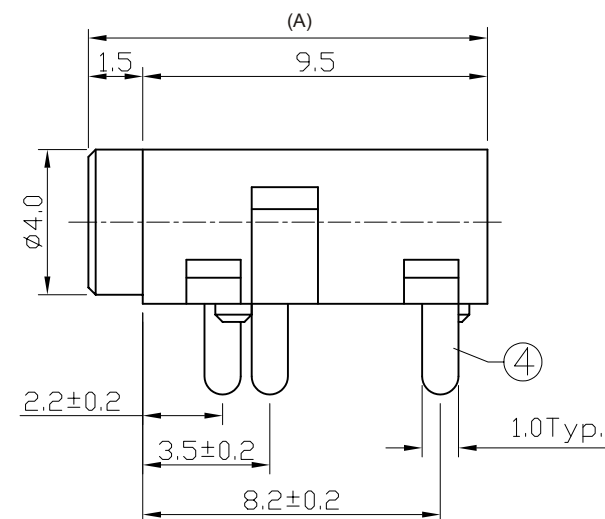
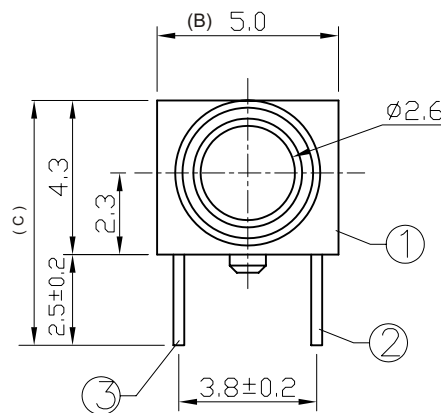
A/B/C (A=11.0,B=5.0,C=6.8) (standard)

d. Pack selection:

D:Disk Pack



T:1.6 Dimensions of PC board holes  
 Tolerance :  $\pm 0.1$ (Printed-top view)



| 4   | CONTACT FOOT | 1   | PHOSPHOR BRONZE | MB:Cu Ag PLATED |
|-----|--------------|-----|-----------------|-----------------|
| 3   | CONTACT FOOT | 1   | PHOSPHOR BRONZE | MB:Cu Ag PLATED |
| 2   | CONTACT FOOT | 1   | PHOSPHOR BRONZE | MB:Cu Ag PLATED |
| 1   | HOUSING      | 1   | PBT             |                 |
| LTR | PART NAME    | QTY | MATERIAL        | REMARK          |

|                              |                        |                                       |
|------------------------------|------------------------|---------------------------------------|
| GENAL TOLERANCE<br>$\pm 0.3$ | DRAW<br>M. C. WANG     | PART NO<br>EAR12-036X-X-A/B/C-X       |
|                              | DESIGN<br>H. D. LI     | TITLE<br>2.5MM MINIATUREJACK (DIP)    |
|                              | CHECKED<br>Y. M. LU    |                                       |
|                              | APPROVED<br>J. F. KANG |                                       |
| UNIT :mm                     |                        | 宏揚精密有限公司<br>HOJAR PRECISION CO., LTD. |