

ORDER INFORMATION:

EAR12 - 042X - X - A/B/C - X
 $\frac{a}{b} \frac{c}{d}$

a. SCHEMATIC:

A~B

b. Post selection:

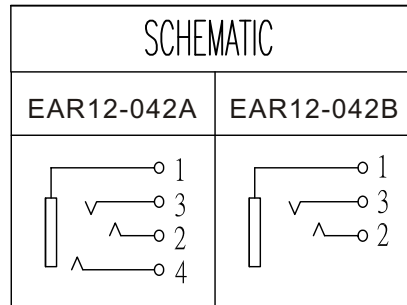
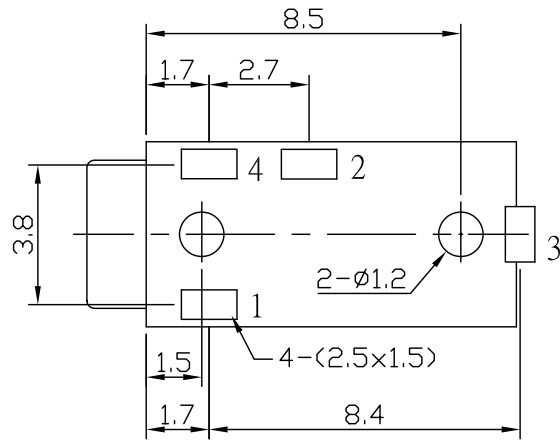
1: with post

c. Length/Width/Height:

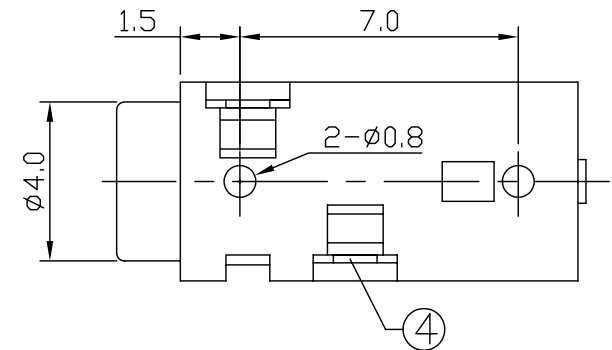
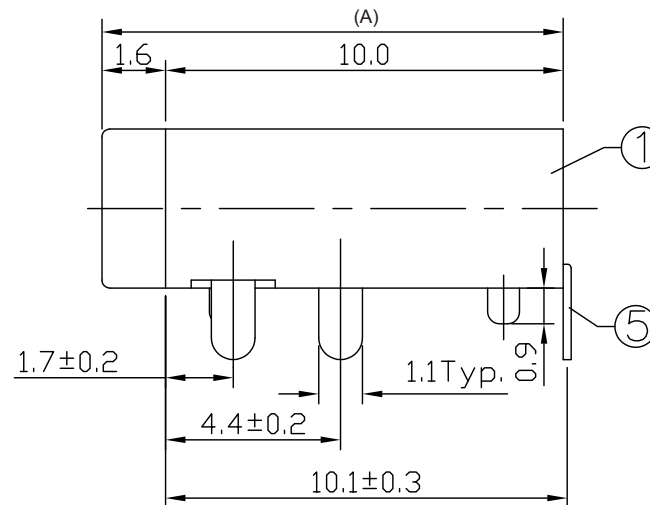
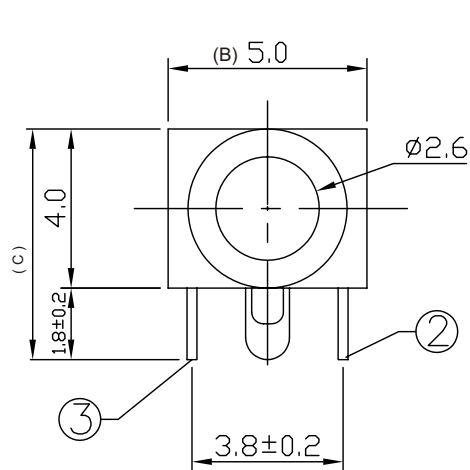
A/B/C (A=11.6, B=5.0, C=5.8) (standard)

d. Pack selection:

D:Disk Pack



T:1.6 Dimensions of PC board holes
 Tolerance : ± 0.1 (Printed-top view)



| | | | | |
|-----|--------------|-----|-----------------|-----------------|
| 5 | CONTACT FOOT | 1 | PHOSPHOR BRONZE | MB:Cu Ag PLATED |
| 4 | SPRING PIECE | 1 | PHOSPHOR BRONZE | MB:Cu Ag PLATED |
| 3 | CONTACT FOOT | 1 | PHOSPHOR BRONZE | MB:Cu Ag PLATED |
| 2 | SPRING PIECE | 1 | PHOSPHOR BRONZE | MB:Cu Ag PLATED |
| 1 | HOUSING | 1 | PA46 | |
| LTR | PART NAME | QTY | MATERIAL | REMARK |

| | | |
|--------------------------------|------------------------|---------------------------------------|
| GENERAL TOLERANCE ± 0.3 | DRAW M. C. WANG | PART NO EAR12-042X-X-A/B/C-X |
| | DESIGN H. D. LI | TITLE 2.5MM MINIATURE JACK (DIP) |
| | CHECKED Y. M. LU | |
| UNIT :mm | APPROVED J. F. KANG | 宏揚精密有限公司 HOJAR PRECISION CO., LTD. |