

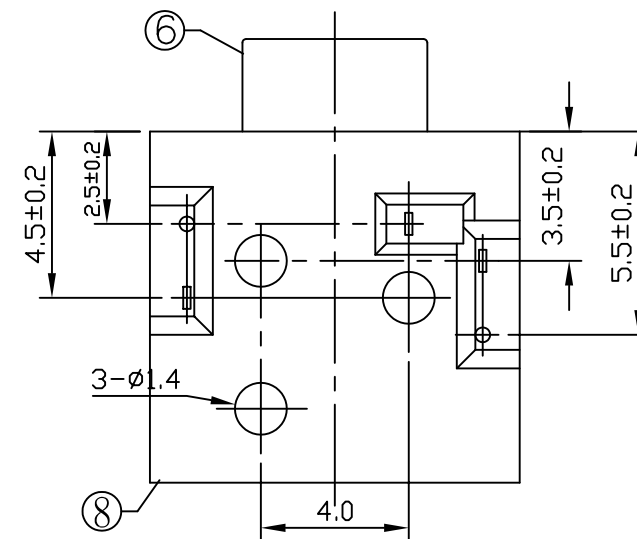
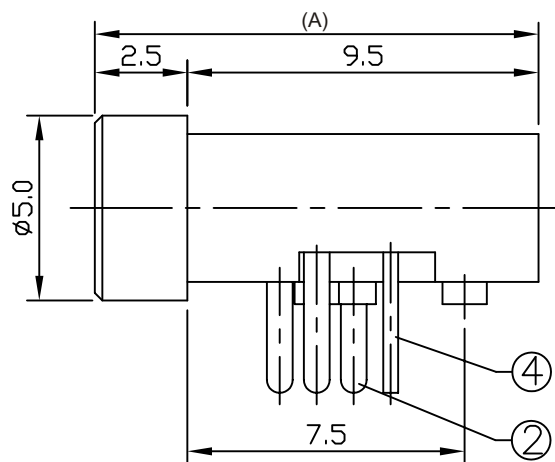
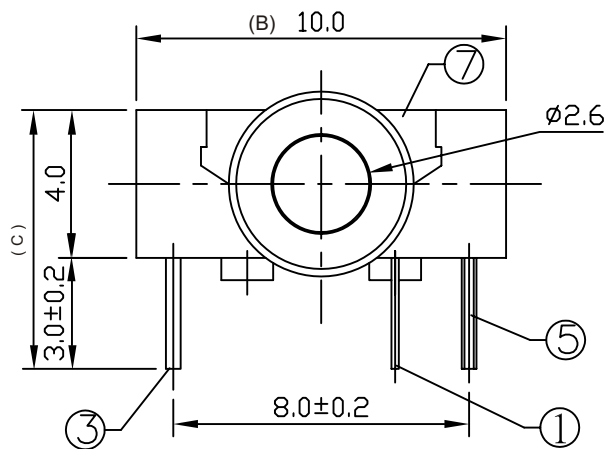
T:1.6 Dimensions of PC board holes
Tolerance : ±0.1(Printed-top view)

SCHEMATIC			
EAR12-051A	EAR12-051B	EAR12-051C	EAR12-051D

ORDER INFORMATION:

EAR12 - 051X - X - A/B/C - X
a b c d

- a. SCHEMATIC:
A~D
- b. Post selection:
1: with post
- c. Length/Width/Height:
A/B/C (A=12.0,B=10.0,C=7.0) (standard)
- d. Pack selection:
D:Disk Pack



8	HOUSING	1	PA46	
7	COVER	1	PA46	
6	AXIS SUPPORT	1	C2680	MB:Cu Ni PLATED
5	5# CONTACT FOOT	1	PHOSPHOR BRONZE	MB:Cu Ag PLATED
4	4# CONTACT FOOT	1	PHOSPHOR BRONZE	MB:Cu Ag PLATED
3	3# CONTACT FOOT	1	PHOSPHOR BRONZE	MB:Cu Ag PLATED
2	2# CONTACT FOOT	1	PHOSPHOR BRONZE	MB:Cu Ag PLATED
1	1# CONTACT FOOT	1	PHOSPHOR BRONZE	MB:Cu Ag PLATED
LTR	PART NAME	QTY	MATERIAL	REMARK

GENAL TOLERANCE ± 0.3	DRAW M. C. WANG	PART NO EAR12-051X-X-A/B/C-X
	DESIGN H. D. LI	TITLE 2.5MM MINIATURE JACK (DIP)
	CHECKED Y. M. LU	
UNIT :mm	APPROVED J. F. KANG	宏揚精密有限公司 HOJAR PRECISION CO., LTD.