

ORDER INFORMATION:

EAR12 - 052 $\frac{X}{a}$ - $\frac{X}{b}$ - $\frac{A/B/C}{c}$ - $\frac{X}{d}$

a. SCHEMATIC:

A~C

b. Post selection:

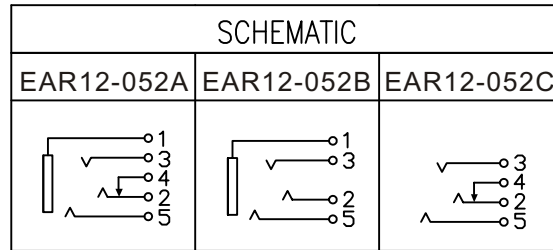
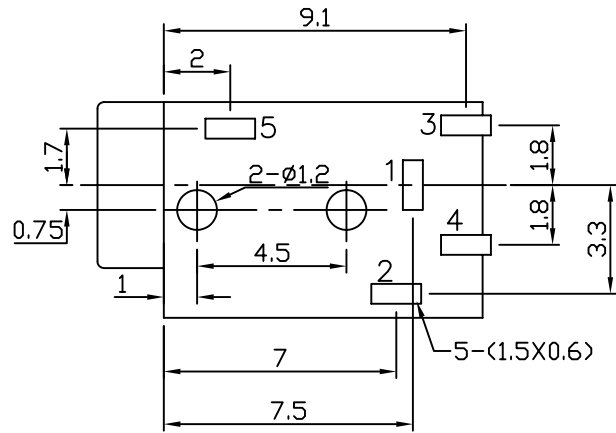
1: with post

c. Length/Width/Height:

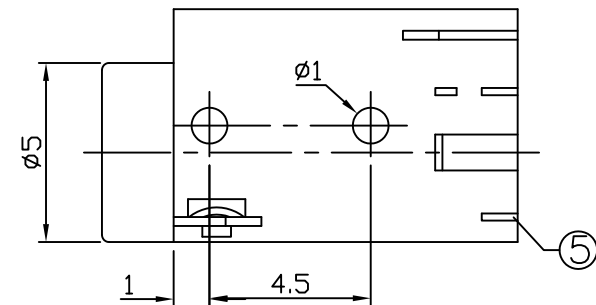
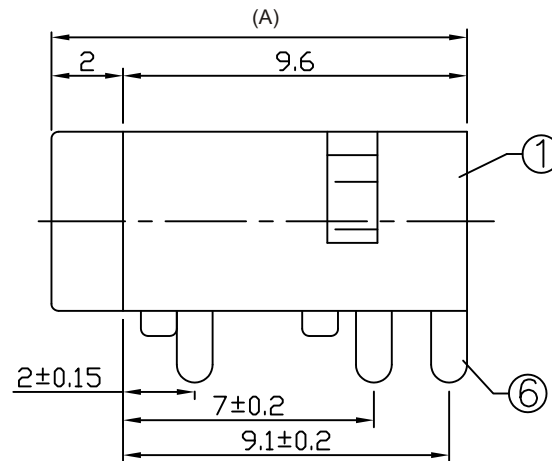
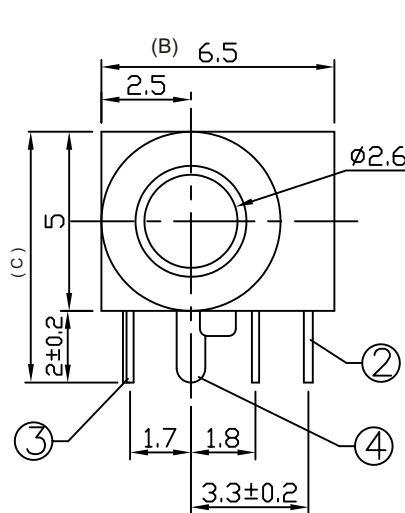
A/B/C (A=11.6, B=6.5, C=7.0) (standard)

d. Pack selection:

D:Disk Pack



T:1.6 Dimensions of PC board holes
Tolerance : ±0.1(Printed-top view)



6	FLAT PIECE	1	BRASS	MB:Cu Ag PLATED
5	SPRING PIECE	1	PHOSPHOR BRONZE	MB:Cu Ag PLATED
4	CONTACT FOOT	1	PHOSPHOR BRONZE	MB:Cu Ag PLATED
3	CONTACT FOOT	1	PHOSPHOR BRONZE	MB:Cu Ag PLATED
2	SPRING PIECE	1	PHOSPHOR BRONZE	MB:Cu Ag PLATED
1	HOUSING	1	PA46	
LTR	PART NAME	QTY	MATERIAL	REMARK

GENERAL TOLERANCE ± 0.3	DRAW M. C. WANG	PART NO EAR12-052X-X-A/B/C-X
	DESIGN H. D. LI	TITLE 2.5MM MINIATURE JACK (DIP)
	CHECKED Y. M. LU	
	APPROVED J. F. KANG	
UNIT :mm		宏揚精密有限公司 HOJAR PRECISION CO., LTD.