

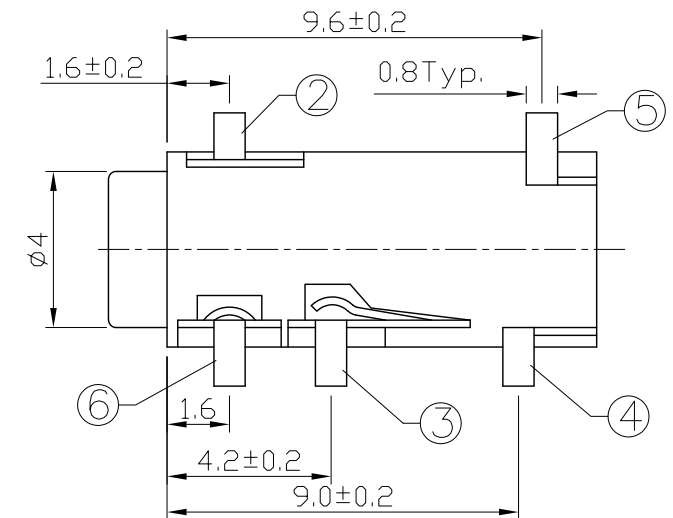
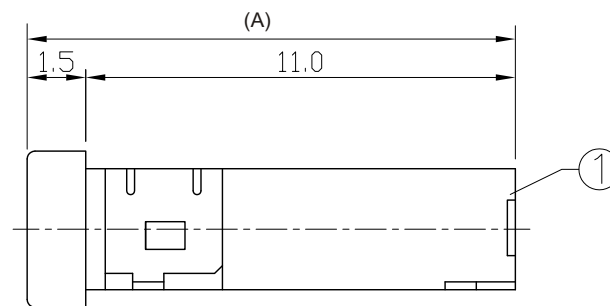
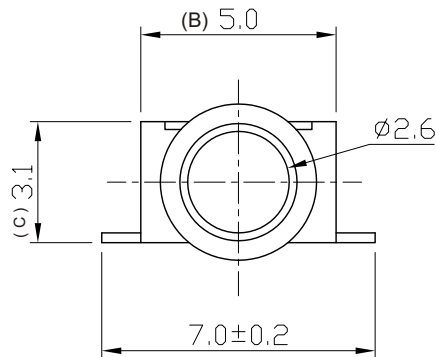
SCHEMATIC			
SEAR12-054A	SEAR12-054B	SEAR12-054C	SEAR12-054D

ORDER INFORMATION:

SEAR12 - 054X - X - A/B/C - X
 $\frac{a}{b} \frac{c}{d}$

- a. SCHEMATIC:
A~D
- b. Post selection:
0: without post
- c. Length/Width/Height:
A/B/C (A=12.5,B=5.0,C=3.1) (standard)
- d. Pack selection:
R:Reel Pack

T:1.6 Dimensions of PC board holes
 Tolerance : ± 0.1 (Printed-top view)



6	CONTACT FOOT	1	PHOSPHOR BRONZE	MB:Cu Ag PLATED
5	SPRING	1	PHOSPHOR BRONZE	MB:Cu Ag PLATED
4	CURVE PIECE	1	BRASS	MB:Cu Ag PLATED
3	SPRING	1	PHOSPHOR BRONZE	MB:Cu Ag PLATED
2	CONTACT FOOT	1	BRASS	MB:Cu Ag PLATED
1	HOUSING	1	FR52	
LTR	PART NAME	QTY	MATERIAL	REMARK

GENAL TOLERANCE ± 0.2	DRAW M. C. WANG	PART NO SEAR12-054X-X-A/B/C-X
	DESIGN H. D. LI	TITLE 2.5MM MINIATURE JACK (SMT)
	CHECKED Y. M. LU	
	APPROVED J. F. KANG	
UNIT :mm		宏揚精密有限公司 HOJAR PRECISION CO., LTD.