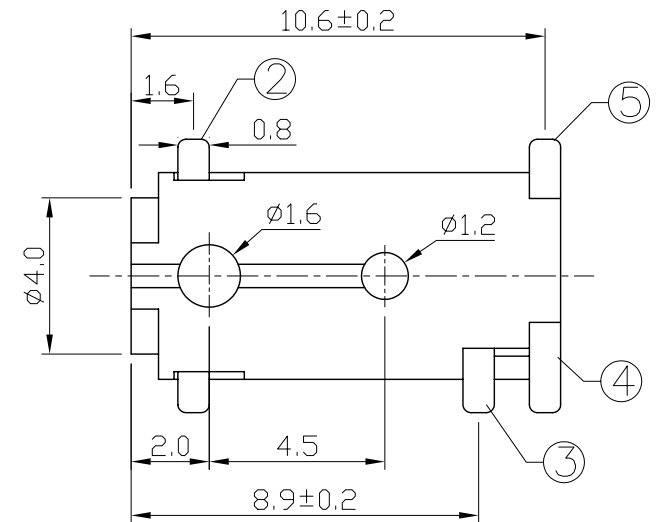
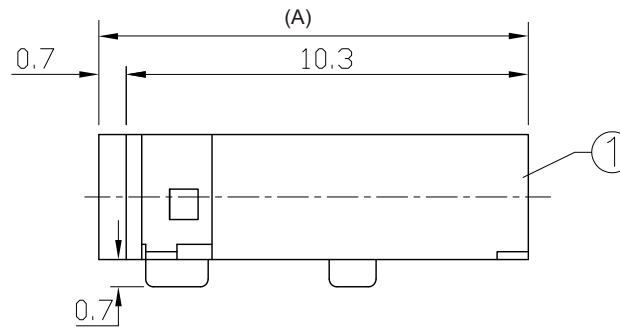
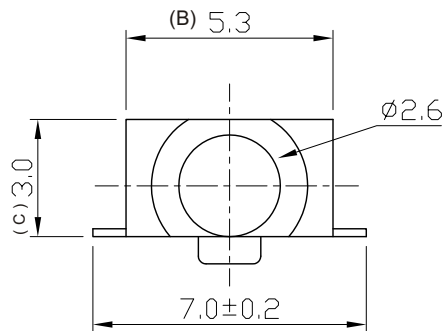


T:1.6 Dimensions of PC board holes  
Tolerance :  $\pm 0.1$ (Printed-top view)



## ORDER INFORMATION:

SEAR12 - 055X - X - A/B/C - X  
a b c d

- SCHEMATIC:  
A~B
- Post selection:  
1: with post
- Length/Width/Height:  
A/B/C (A=11.0,B=5.3,C=3.0) (standard)
- Pack selection:  
R:Reel Pack

5	SPRING	1	PHOSPHOR BRONZE t=0.2	MB:Cu Ag PLATED
4	CONTACT FOOT	1	PHOSPHOR BRONZE t=0.2	MB:Cu Ag PLATED
3	SPRING	1	PHOSPHOR BRONZE t=0.2	MB:Cu Ag PLATED
2	CONTACT FOOT	1	SUS301	
1	HOUSING	1	PA9T	
LTR	PART NAME	QTY	MATERIAL	REMARK

GENAL TOLERANCE $\pm 0.2$	DRAW M. C. WANG	PART NO SEAR12-055X-X-A/B/C-X
	DESIGN H. D. LI	TITLE 2.5MM MINIATURE JACK (SMT)
	CHECKED Y. M. LU	
UNIT :mm	APPROVED J. F. KANG	宏揚精密有限公司 HOJAR PRECISION CO., LTD.