

# ORDER INFORMATION:

EAR13- 031X -X X - A/B/C - X  
 $\frac{\quad}{a} \frac{\quad}{b} \frac{\quad}{c} \frac{\quad}{d} \frac{\quad}{e}$

a. SCHEMATIC:

A

b. Post selection:

0: without post

c. Color:

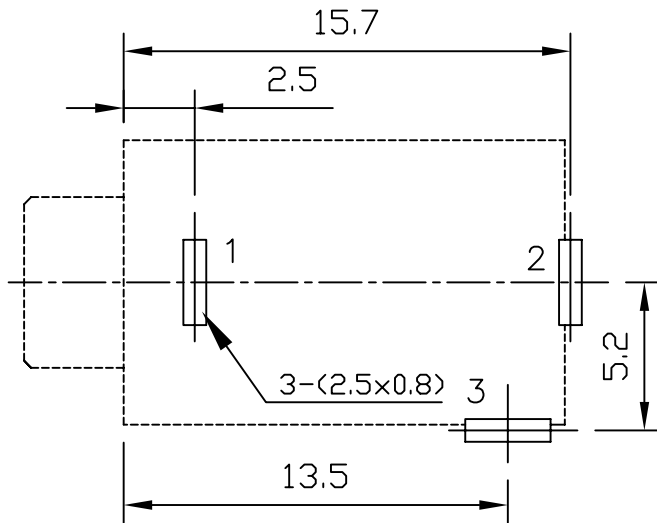
B: Black

d. Length/Width/Height:

A/B/C (A=19.0,B=10.0,C=14.5) (standard)

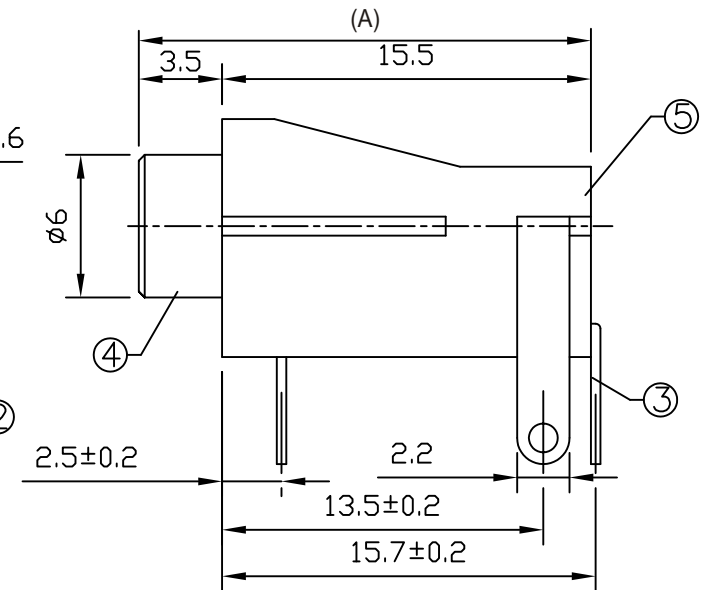
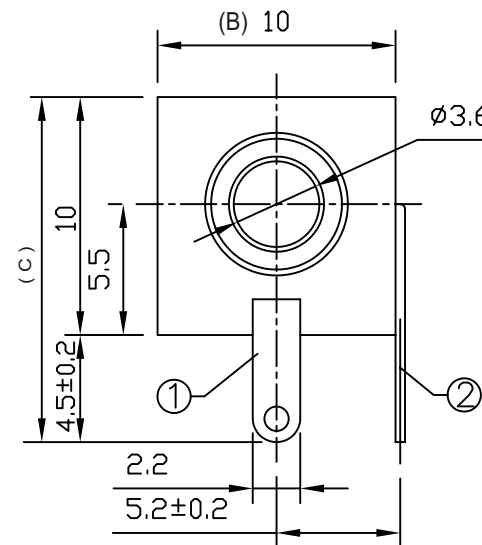
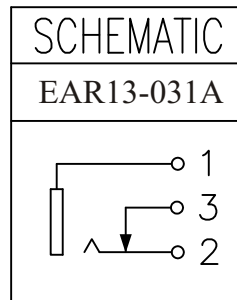
e. Pack selection:

D:Disk Pack



T:1.6 Dimensions of PC board holes

Tolerance :  $\pm 0.1$ (Printed-top view)



5	HOUSING	1	PBT	
4	AXIS SUPPORT	1	BRASS	MB:Cu Ni PLATED
3	SPRING PIECE	1	BRONZE	MB:Cu Ag PLATED
2	CURVE PIECE	1	BRASS	MB:Cu Ag PLATED
1	FLAT PIECE	1	BRASS	MB:Cu Ag PLATED
LTR	PART NAME	QTY	MATERIAL	REMARK

GENAL TOLERANCE $\pm 0.3$	DRAW M. C. WANG	PART NO EAR13-031X-XX-A/B/C-X
	DESIGN H. D. LI	TITLE 3.5mm MINIATURE JACK (DIP)
	CHECKED Y. M. LU	
UNIT :mm	APPROVED J. F. KANG	宏揚精密有限公司 HOJAR PRECISION CO., LTD.