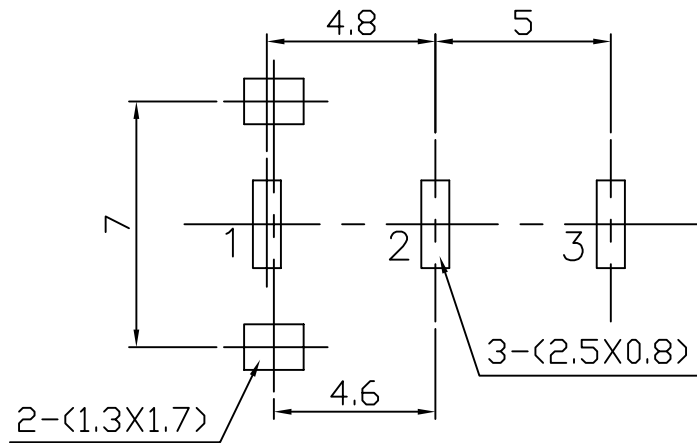


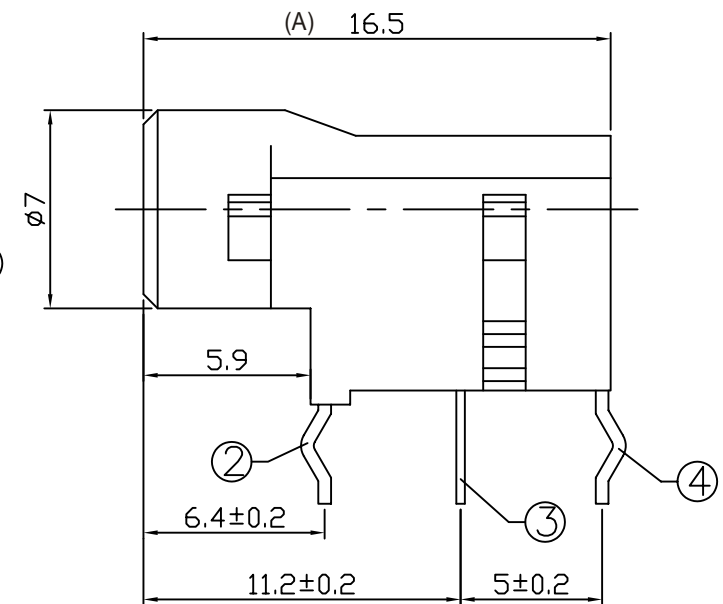
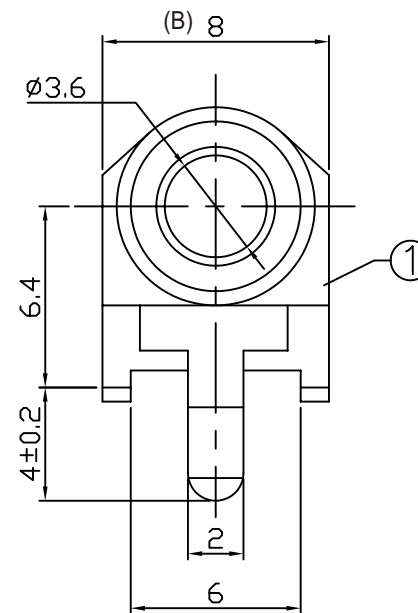
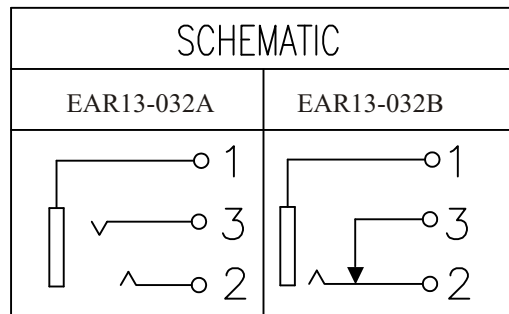
# ORDER INFORMATION:

EAR13- 032X -X X - A/B - X  
 $\frac{a}{b} \frac{c}{d} \frac{e}{e}$

- a. SCHEMATIC:  
A、B
- b. Post selection:  
0: without post
- c. Color:  
B: Black
- d. Length/Width:  
A/B/C (A=16.5,B=8.0) (standard)
- e. Pack selection:  
D:Disk Pack



T:1.6 Dimensions of PC board holes  
 Tolerance : ±0.1(Printed-top view)



4	3# CONTACT FOOT	1	BRONZE	MB:Cu Ag PLATED
3	2# CONTACT FOOT	1	BRONZE	MB:Cu Ag PLATED
2	1# CONTACT FOOT	1	BRASS	MB:Cu Ag PLATED
1	HOUSING	1	PBT	
LTR	PART NAME	QTY	MATERIAL	REMARK

GENAL TOLERANCE ± 0.3	DRAW M. C. WANG	PART NO EAR13-032X-XX-A/B-X
	DESIGN H. D. LI	TITLE 3.5mm MINIATURE JACK (DIP)
	CHECKED Y. M. LU	宏揚精密有限公司 HOJAR PRECISION CO., LTD.
UNIT :mm	APPROVED J. F. KANG	