

# ORDER INFORMATION:

EAR13- 034 $\frac{X}{a}$  - $\frac{X}{b}$   $\frac{X}{c}$  -  $\frac{A/B/C}{d}$  -  $\frac{X}{e}$

a. SCHEMATIC:

A

b. Post selection:

1: with post

c. Color:

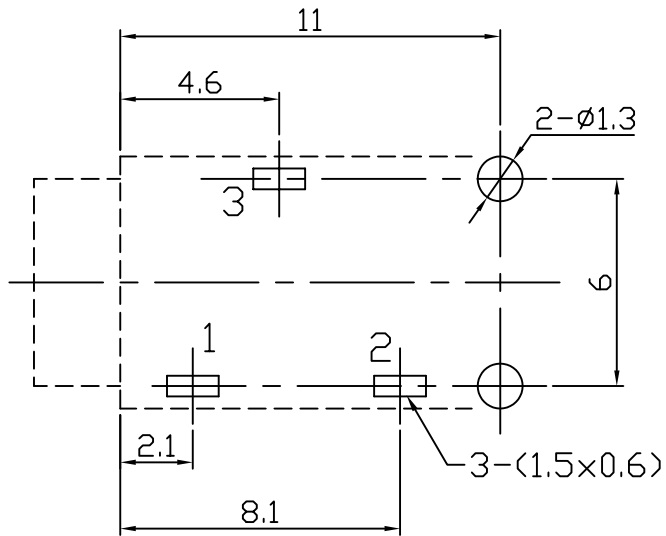
B: Black

d. Length/Width/Height:

A/B/C (A=14.0,B=7.3,C=7.5) (standard)

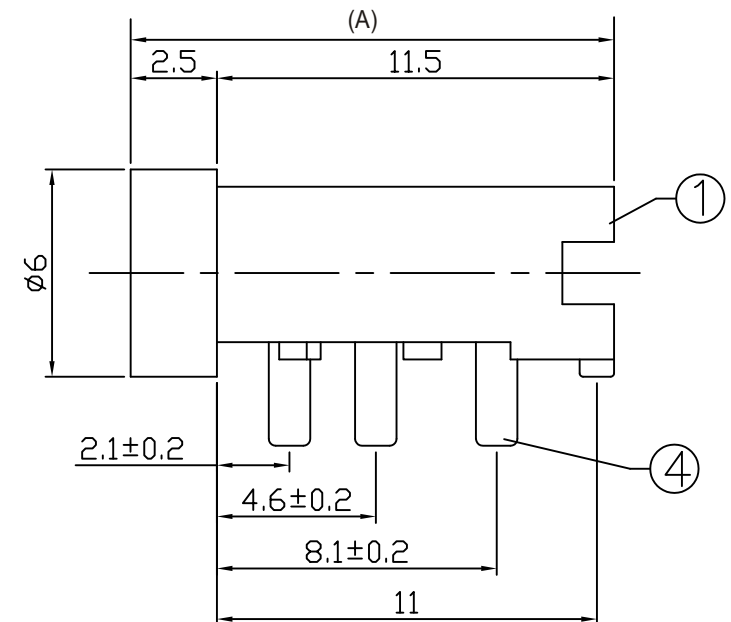
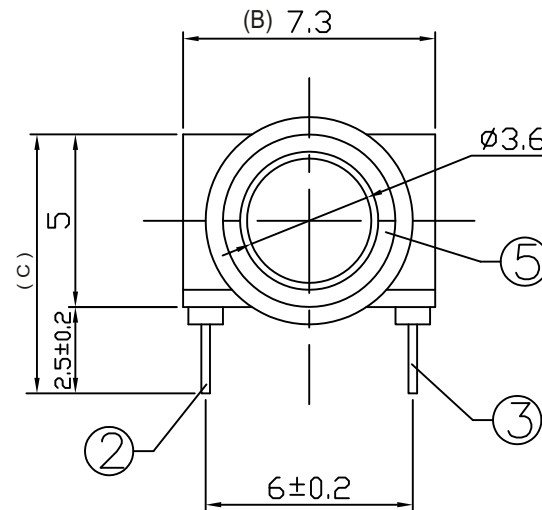
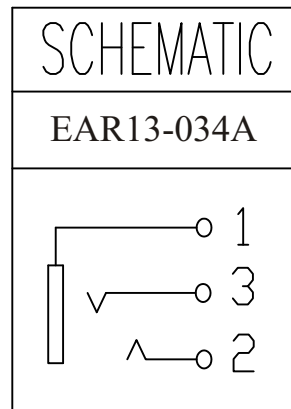
e. Pack selection:

D:Disk Pack



T:1.6 Dimensions of PC board holes

Tolerance :  $\pm 0.1$ (Printed-top view)



5	AXIS SUPPORT	1	BRASS	MB:Cu Ni PLATED
4	3# CONTACT FOOT	1	BRONZE	MB:Cu Ag PLATED
3	2# CONTACT FOOT	1	BRONZE	MB:Cu Ag PLATED
2	1# CONTACT FOOT	1	BRONZE	MB:Cu Ag PLATED
1	HOUSING	1	PBT/PC	
LTR	PART NAME	QTY	MATERIAL	REMARK

GENAL TOLERANCE $\pm 0.3$	DRAW M. C. WANG	PART NO EAR13-034X-XX-A/B/C-X
	DESIGN H. D. LI	TITLE 3.5mm MINIATURE JACK (DIP)
	CHECKED Y. M. LU	
UNIT :mm	APPROVED J. F. KANG	宏揚精密有限公司 HOJAR PRECISION CO., LTD.