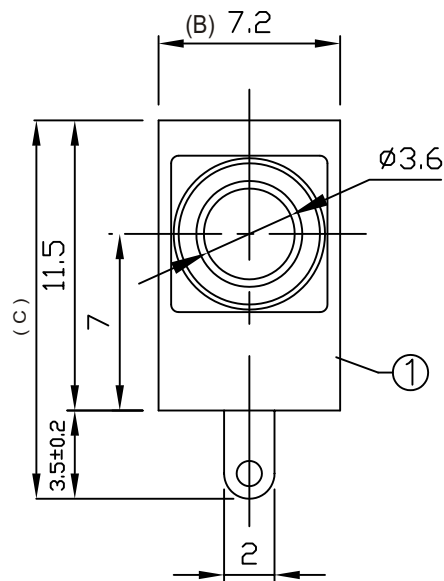
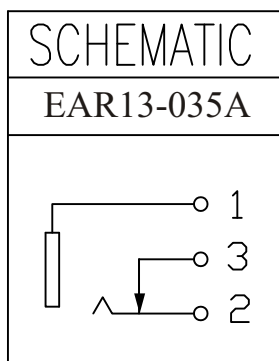


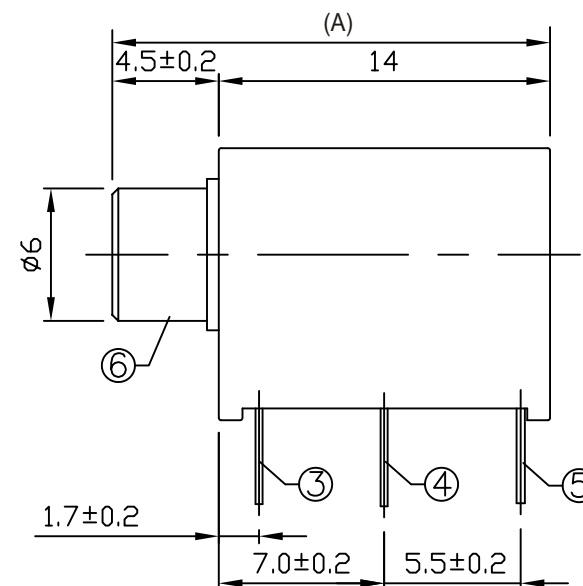
T:1.6 Dimensions of PC board holes  
Tolerance :  $\pm 0.1$ (Printed-top view)



## ORDER INFORMATION:

EAR13- 035X -X X - A/B/C - X  
a b c d e

- a. SCHEMATIC:  
A
- b. Post selection:  
0: without post
- c. Color:  
B: Black
- d. Length/Width/Height:  
A/B/C (A=18.5,B=7.2,C=15.0) (standard)
- e. Pack selection:  
D:Disk Pack



6	AXIS SUPPORT	1	BRASS	MB:Cu Ni PLATED
5	CURVE PIECE	1	BRASS	MB:Cu Ag PLATED
4	SPRING	1	PHOSPHOR BRONZE	MB:Cu Ag PLATED
3	FLAT PIECE	1	BRASS	MB:Cu Ag PLATED
2	COVER	1	PBT	
1	HOUSING	1	PBT	
LTR	PART NAME	QTY	MATERIAL	REMARK

GENAL TOLERANCE $\pm 0.3$	DRAW M. C. WANG	PART NO EAR13-035X-XX-A/B/C-X
	DESIGN H. D. LI	TITLE 3.5mm MINIATURE JACK (DIP)
	CHECKED Y. M. LU	
UNIT :mm	APPROVED J. F. KANG	宏揚精密有限公司 HOJAR PRECISION CO., LTD.