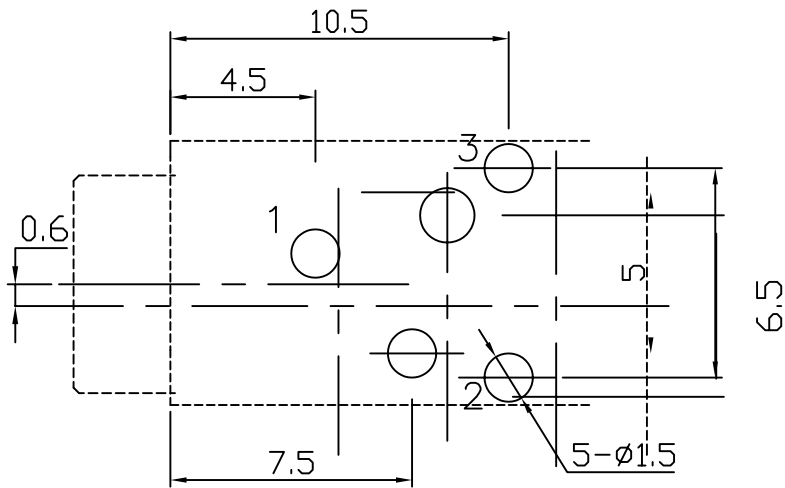


ORDER INFORMATION:

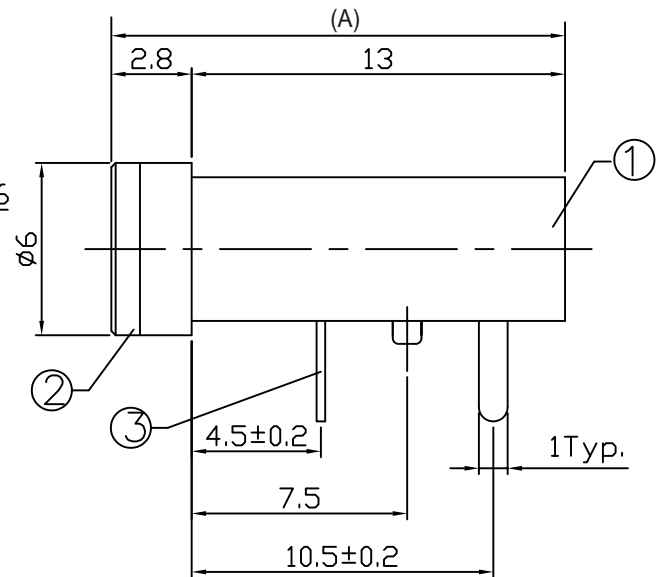
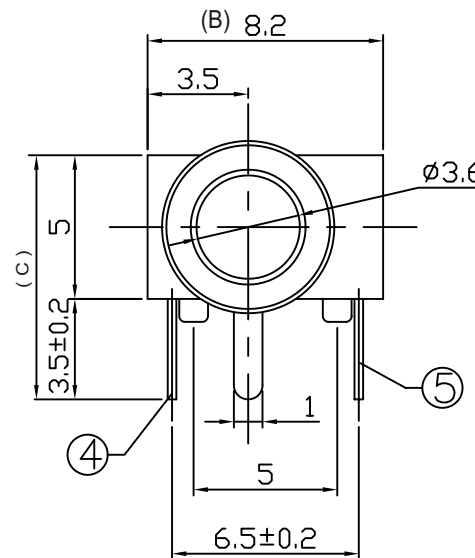
EAR13- 036 $\frac{X}{a}$ - $\frac{X}{b}$ $\frac{X}{c}$ - $\frac{A/B/C}{d}$ - $\frac{X}{e}$

- a. SCHEMATIC:
A、B
- b. Post selection:
1: with post
- c. Color:
B: Black
- d. Length/Width/Height:
A/B/C (A=15.8,B=8.2,C=8.5) (standard)
- e. Pack selection:
D:Disk Pack



T:1.6 Dimensions of PC board holes
Tolerance : ±0.1(Printed-top view)

SCHEMATIC	
EAR13-036A	EAR13-036B



5	SPRING PIECE	1	PHOSPHOR BRONZE	MB:Cu Ag PLATED
4	CURVE PIECE	1	BRASS	MB:Cu Ag PLATED
3	FLAT PIECE	1	BRASS	MB:Cu Ag PLATED
2	AXIS SUPPORT	1	BRASS	MB:Cu Ni PLATED
1	HOUSING	1	PA66	
LTR	PART NAME	QTY	MATERIAL	REMARK

GENAL TOLERANCE ± 0.3	DRAW M. C. WANG	PART NO EAR13-036X-XX-A/B/C-X
	DESIGN H. D. LI	TITLE 3.5mm MINIATURE JACK (DIP)
	CHECKED Y. M. LU	
UNIT :mm	APPROVED J. F. KANG	宏揚精密有限公司 HOJAR PRECISION CO., LTD.