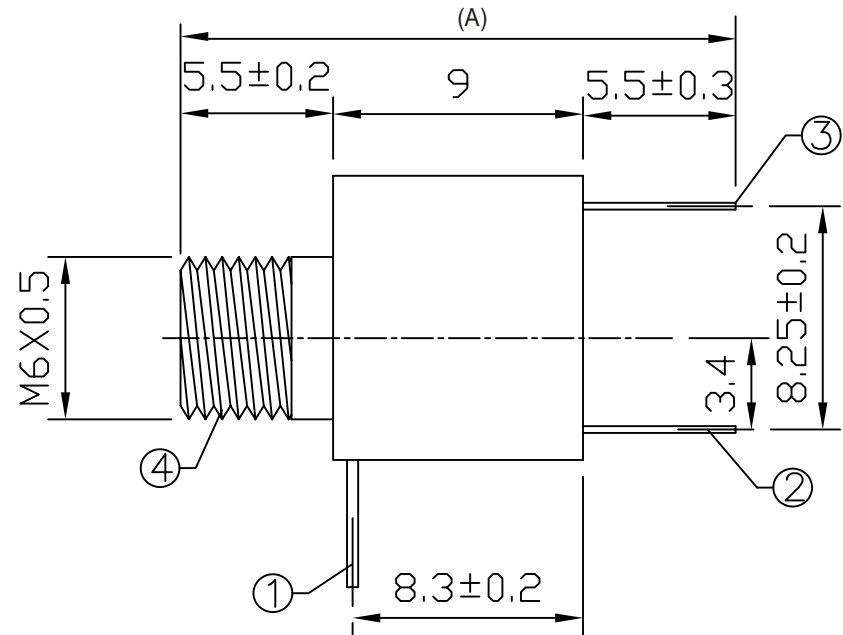
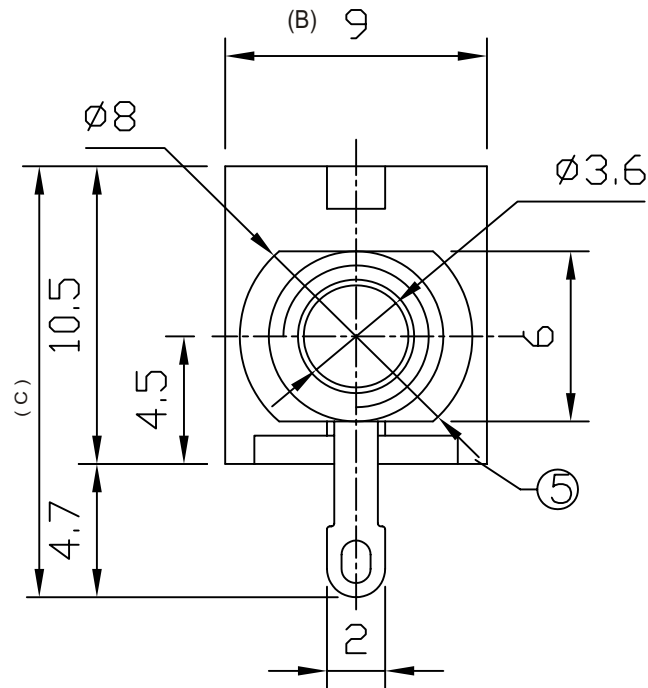
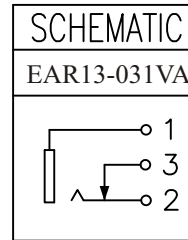


# ORDER INFORMATION:

EAR13-031VX -X X - A/B/C - X  
 $\frac{\quad}{a} \frac{\quad}{b} \frac{\quad}{c} \frac{\quad}{d} \frac{\quad}{e}$

- a. SCHEMATIC:  
A
- b. Post selection:  
0: without post
- c. Color:  
B: Black
- d. Length/Width/Height:  
A/B/C (A=20.0,B=9.0,C=15.2) (standard)
- e. Pack selection:  
D:Disk Pack



5	HOUSING	1	PBT	
4	AXIS SUPPORT	1	BRASS	MB:Cu Ni PLATED
3	SPRING PIECE	1	BRONZE	MB:Cu Ag PLATED
2	CURVE PIECE	1	BRASS	MB:Cu Ag PLATED
1	FLAT PIECE	1	BRASS	MB:Cu Ag PLATED
LTR	PART NAME	QTY	MATERIAL	REMARK

GENAL TOLERANCE ± 0.3	DRAW M. C. WANG	PART NO EAR13-031VX-XX-A/B/C-X
	DESIGN H. D. LI	TITLE 3.5mm MINIATURE JACK (DIP)
	CHECKED Y. M. LU	
UNIT :mm	APPROVED J. F. KANG	宏揚精密有限公司 HOJAR PRECISION CO., LTD.