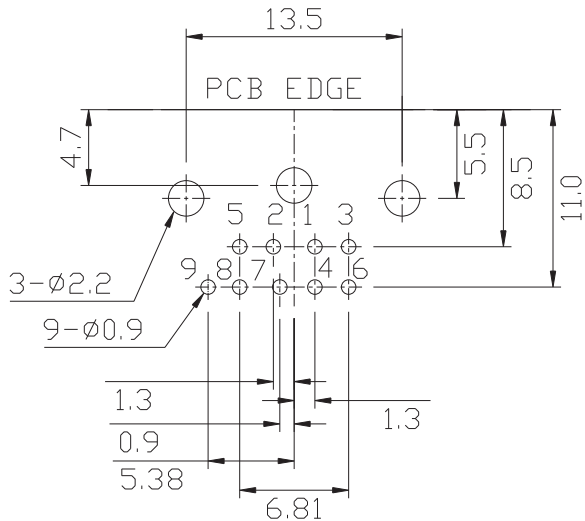
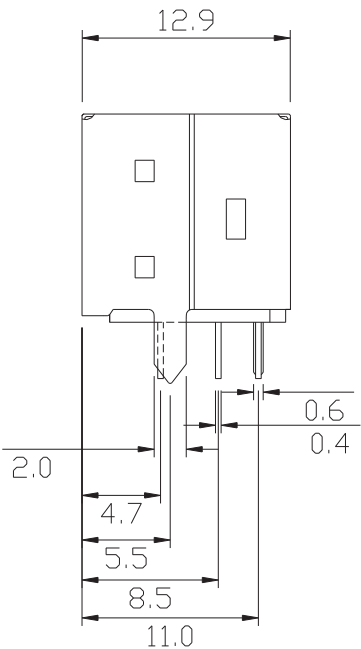
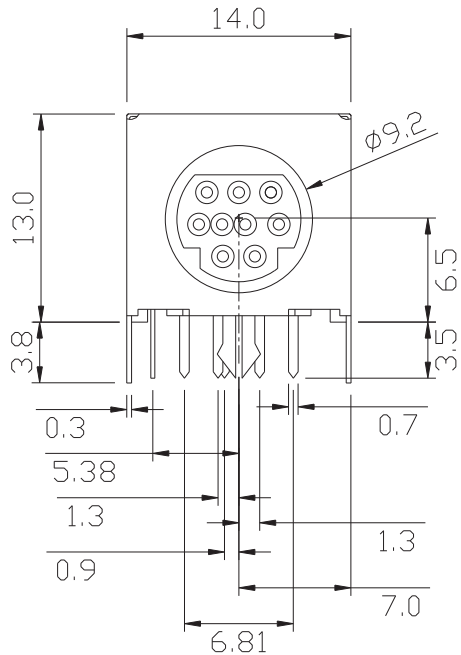
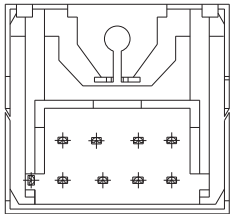
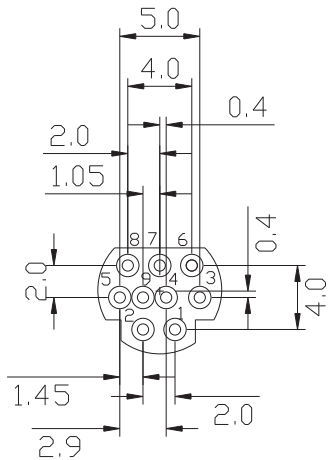


ORDER INFORMATION:


MD2 - 5 09 D - B P - D
 a b c d e

- a. Shell option:
5:FULLY SHIELDED WITH STRAIGHT TABS
- b. Position:
09
- c. Color selection:
B:Black
- d. Insulator material:
P:PBT
- e. Pack selection:
D:Disk Pack



P.C.B. RECOMMEND LAYOUT
 BOTTOM VIEW

NO.	NAME	MATERIAL	FINISH	Q'TY	REMARK
1	HOUSING	PBT G.F.	BLACK	1	
2	CONTACT	PHOS. BRONZE T:0.2	GOLD-TIN PLATED	9	Gold:1~3u"; NI:40~60u"; TIN:120u" (100% pure Tin of lead free plating)
3	SHIELD	BRASS T:0.3	TIN PLATED	1	TIN:120~200u"
4	BOTTOM COVER	PBT G.F.	BLACK	1	

GENAL TOLERANCE ± 0.30	DATE H. D. LI	PART NO MD2-509D-BP-D
	DESIGN H. D. LI	
	CHECKED Y. M. LU	TITLE MINI DIN JACK 9P RIGHT ANGLE WITH FULLY SHIELDED TYPE
UNIT :mm	APPROVED J. F. KANG	 宏揚精密有限公司 HOJAR PRECISION CO., LTD.